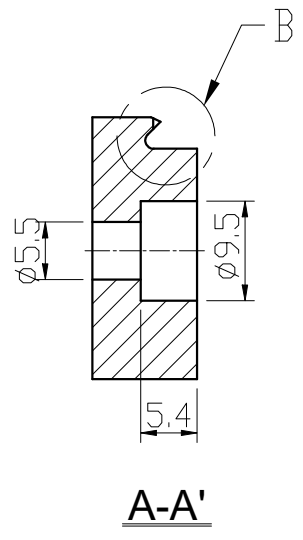
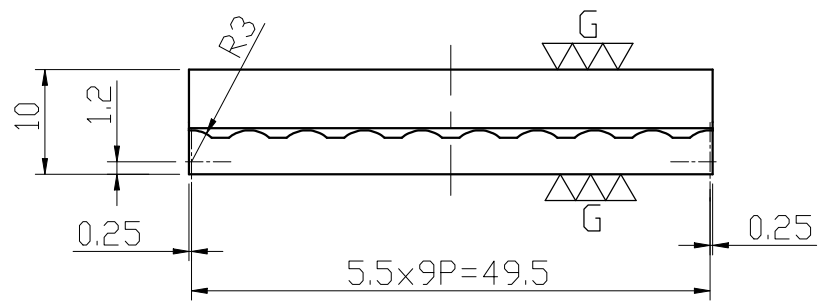
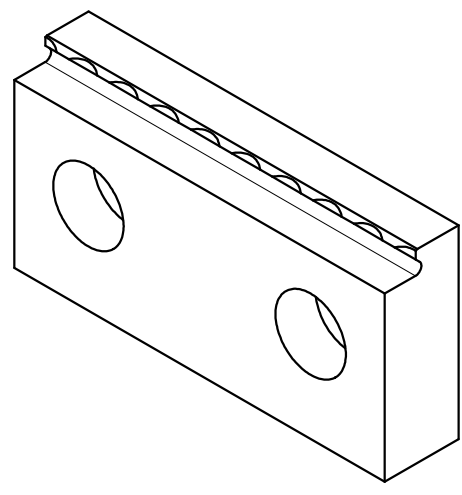
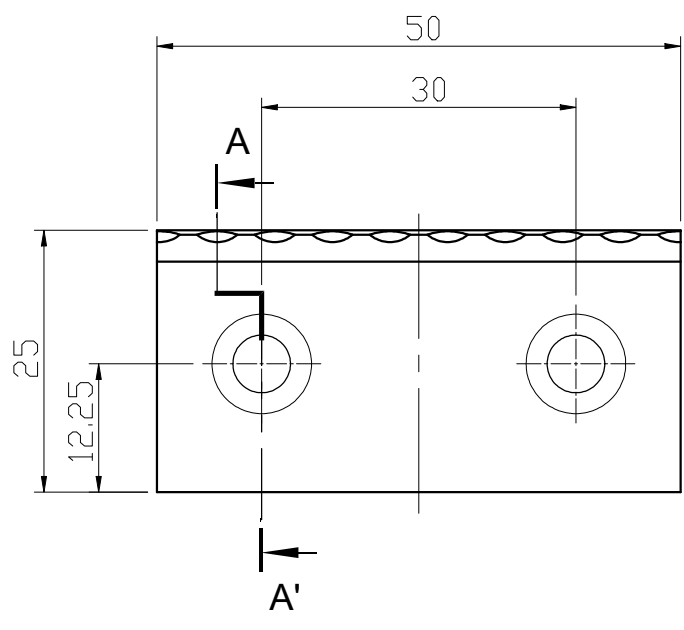


Figure B




A-A'



A'

\*Hole chamfered C0.5  
 \*Edge chamfered C0.5

Material SNCM21		Heat treatment HRC 56°~60°		Surface treatment Grind after Black Oxide			
Drafted by C.Y	Checked by	Approved by	Scale 1/1	Date 2021.10.18	Sheet 1/1	Edition A	
 LEAVE INDUSTRIAL CO., LTD.			TITLE Serrated Step Jaw				
			DWG.ND. SVF-S09-50-3				