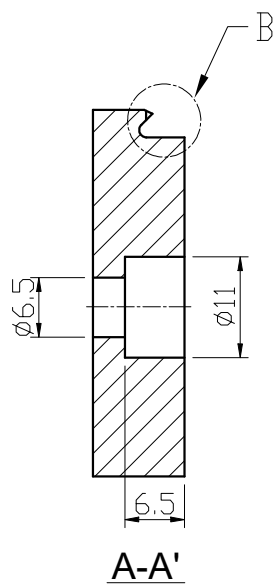
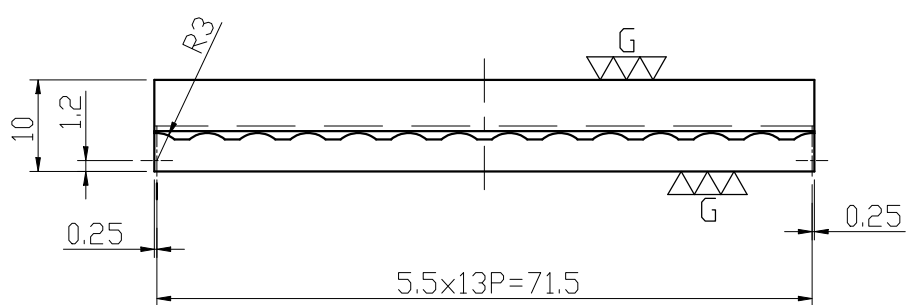
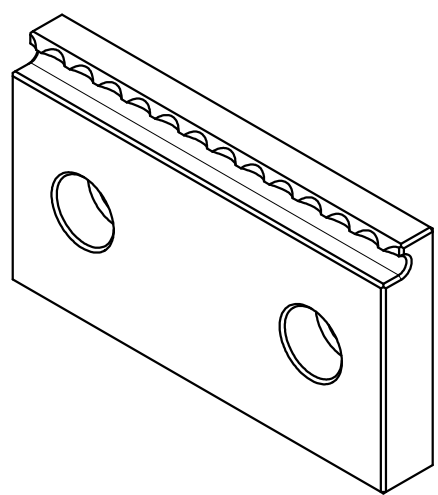
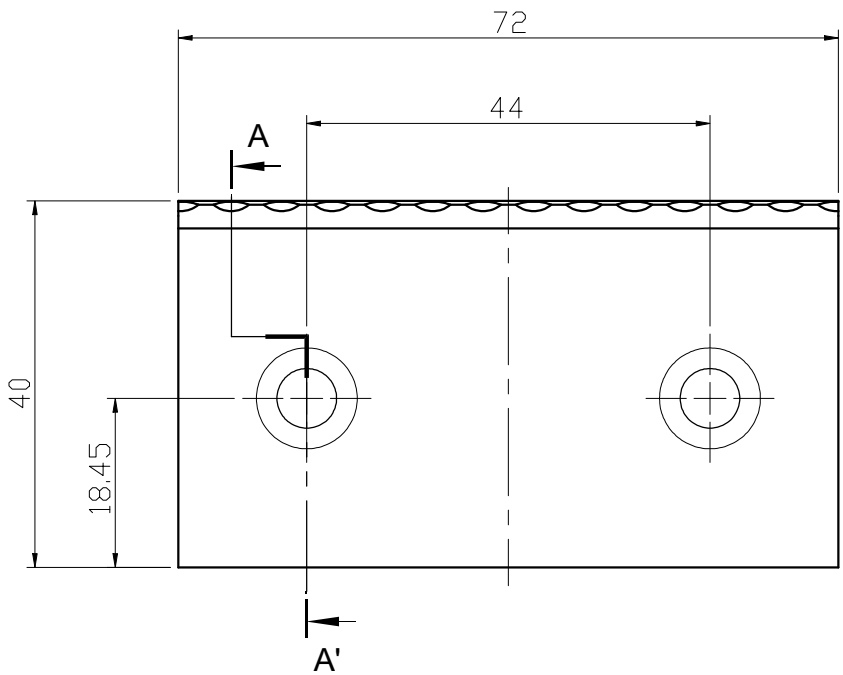


Figure B



A-A'



A'

*Hole chamfered C0.5
*Edge chamfered C0.5

Material	SNCM21		Heat treatment	HRC56°~60°		Surface treatment		
						Grind after Black Oxide		
Drafted by	Checked by	Approved by		Scale	Date	Sheet	Edition	
C.Y				1/1	2021.10.15	1/1	B	
			TITLE					
			Serrated Step Jaw					
			DWG.NO.					
			SVF-S09-72-3					