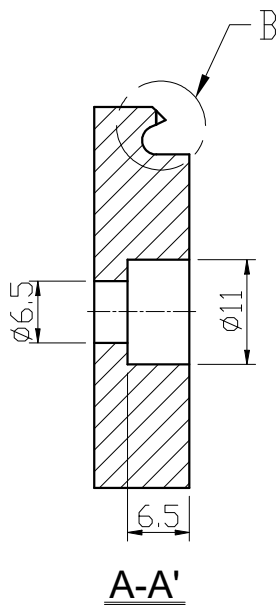
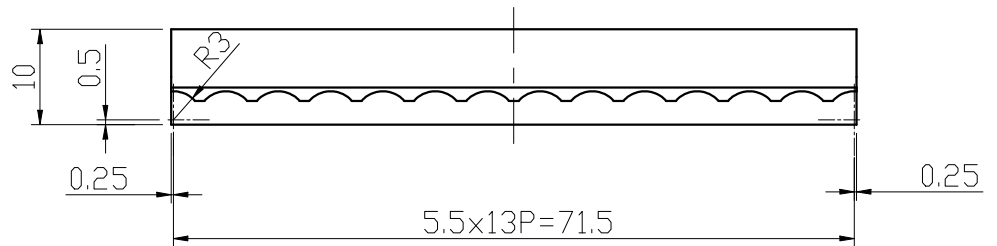
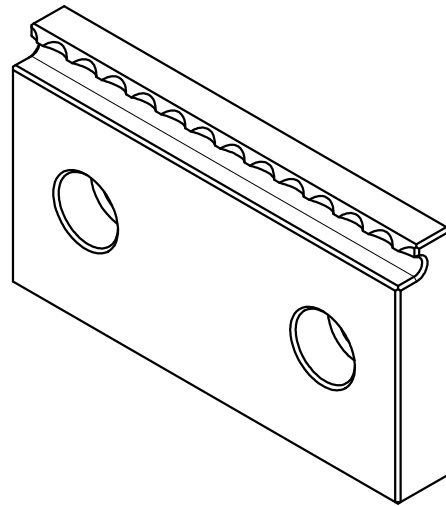
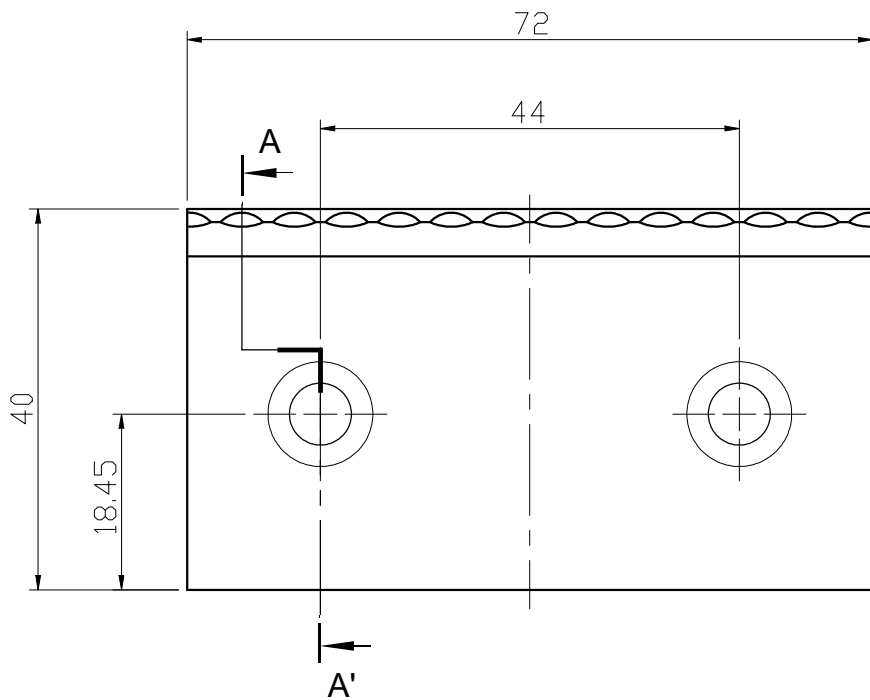


B Figure




A-A'



A'

*Edge chamfered C0.5

| | | | | | |
|---|-------|----------------|-------------|-------------------|-------------|
| Material | SNM21 | Heat treatment | HRC 56°~60° | Surface treatment | Black Oxide |
| Drafted by | C.Y | Checked by | Approved by | Scale | Date |
| | | | | 1/1 | 2021.09.09 |
| | | | | Sheet | Edition |
| | | | | 1/1 | D |
|  LEAVE INDUSTRIAL CO., LTD. | | | | TITLE | |
| | | | | Serrated Step Jaw | |
| | | | | DWG.NO. | |
| | | | | SVF-S09-72-5 | |