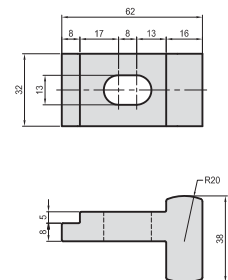
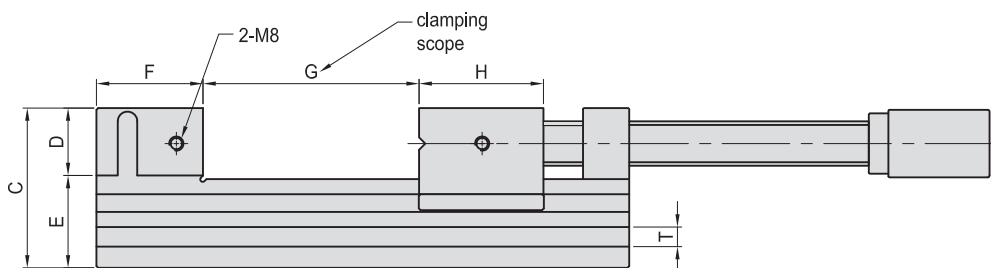
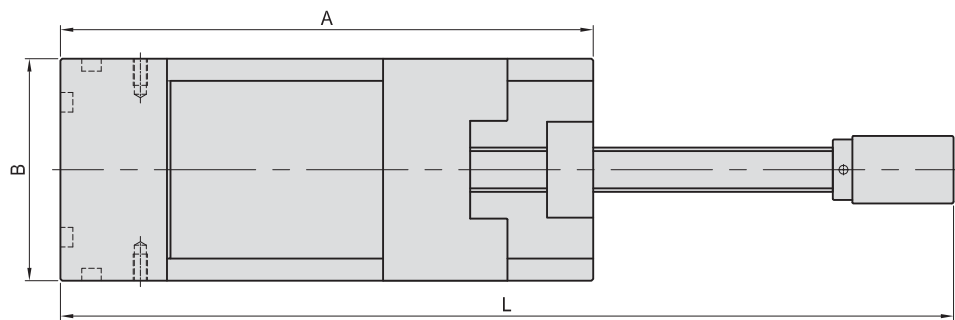
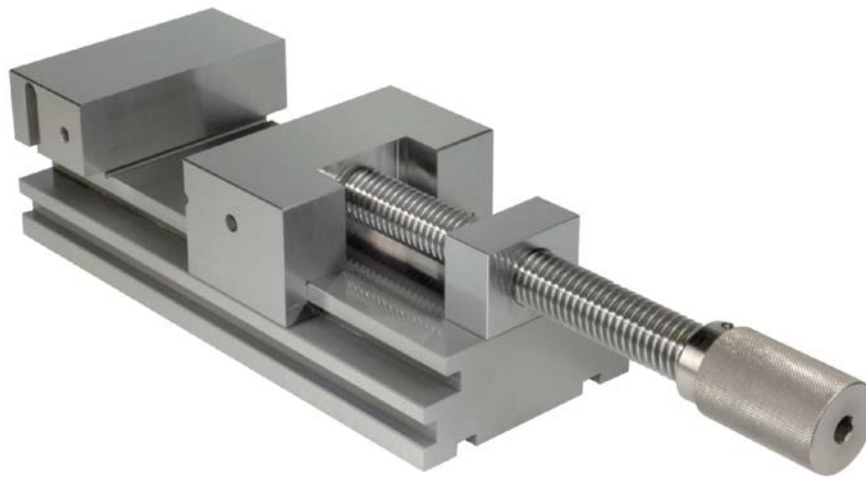


# PGV

## TOOL MAKER VISE

- Super precision: //  $\pm 0.005 / 100\text{mm}$   
 $\perp \pm 0.005 / 100\text{mm}$
- Heat treated: HRC 58°~60°
- Material: SKS3
- Application: Multifunction tool makers vise, ideally suited for: inspection, grinding or edm work.



MODEL NO.	A	B	C	D	E	F	G	H	L		T	Kg
									MIN	MAX		
PGV-125M	300	125	90	40	50	60	0~165	70	382	546	11x7	19