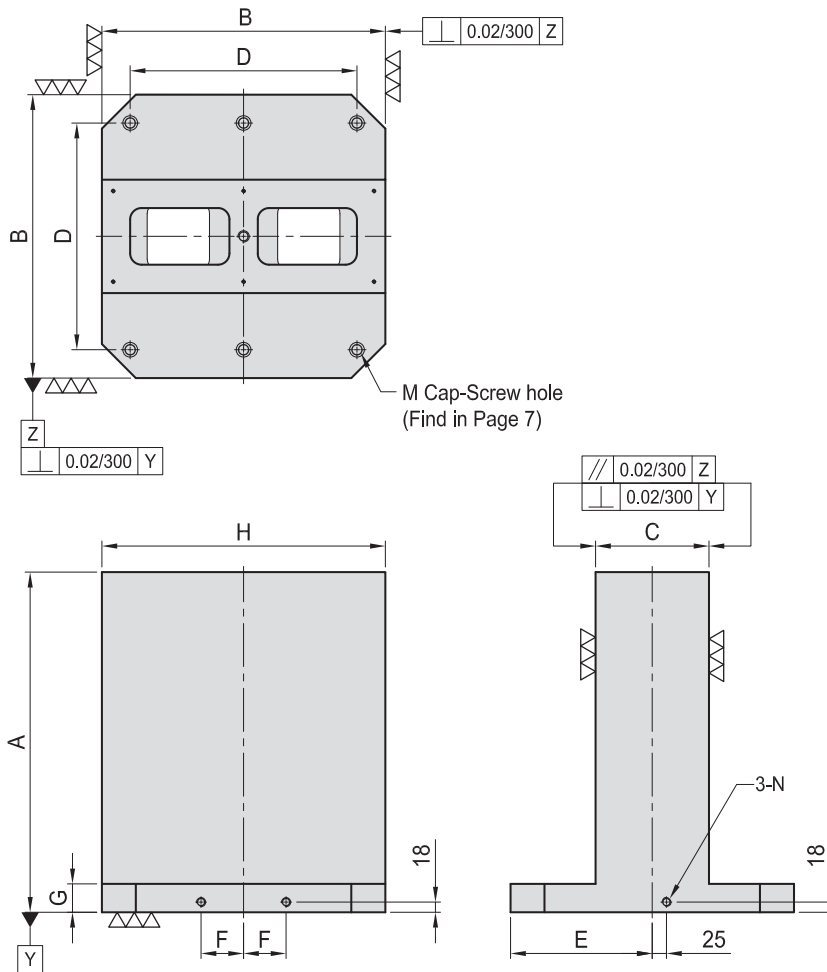




BP10

DOUBLE SIDED TOOLING COLUMN

- Material: Cast Iron FC300(JIS) / GG30(DIN)
- Heat treated (Normalized)
- Application: Horizontal Machining Center.
- Features: Ready to accept a hole pattern for your special jig.
- Eye bolt & top cover included.



MODEL NO.	A	B	C	D	E	F	G	H	M	N	Mounting holes	kg
BP10-300300-0500	500	300	80	250	150	40	50	300	M12	M12	4	115
BP10-400400-0500	500	400	150	320	200	55	50	400	M16	M16	4	170
BP10-400400-0650	650											215
BP10-500500-0600	600	500	200	400	250	75	50	500	M16	M16	6	270
BP10-500500-0750	750											350
BP10-630630-0700	700	630	250	500	315	100	50	630	M16	M16	6	445
BP10-630630-0850	850											520
BP10-800800-0800	800	800	300	640	400	135	50	800	M16	M16	6	675
BP10-800800-1000	1000											815
BP10-10001000-1000	1000	1000	350	800	500	165	55	1000	M20	M16	6	1162
BP10-10001000-1250	1250											1377

*Special Design Welcome !

BP

BPA

BC

CP

SU

PT

SVF

ALV

OK-VISE

OTHER

Column for Technical Data



BPA10

DOUBLE SIDED TOOLING COLUMN

- Material: High Strength Aluminum Casting.
- Application: Horizontal Machining Center.
- Features: Ready to accept a hole pattern for your special jig.
- Eye bolt & Top cover included.

BP

BPA

BC

CP

SU

PT

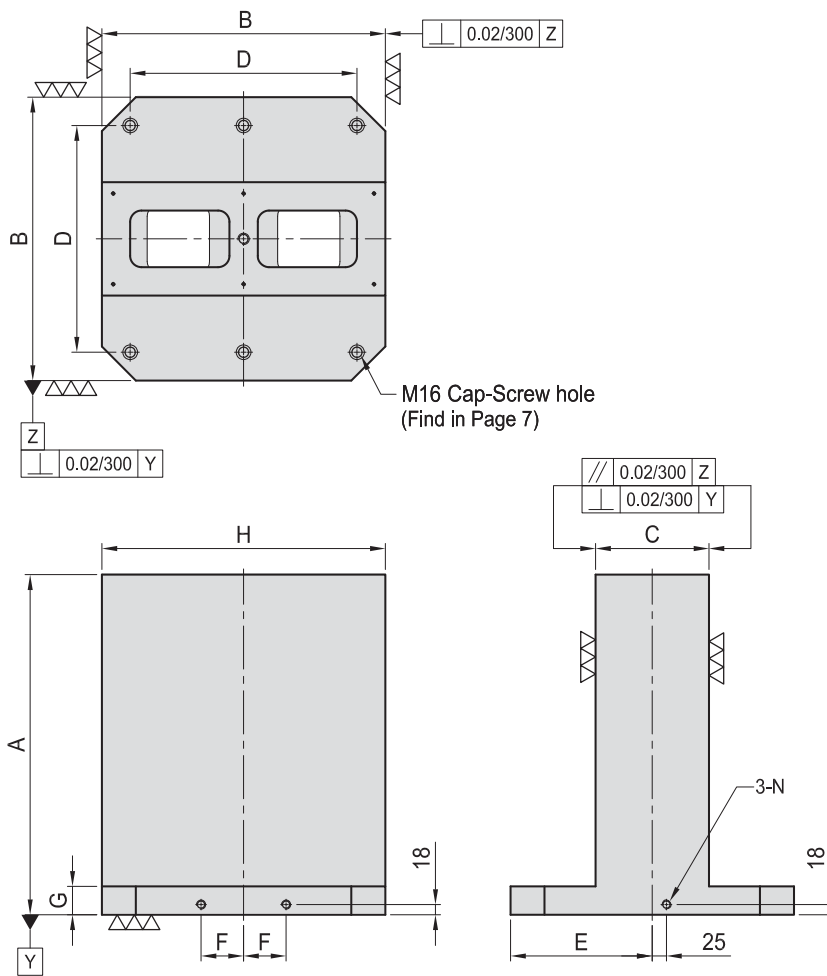
SVF

ALV

OK-VISE

OTHER

Column for Technical Data



MODEL NO.	A	B	C	D	E	F	G	H	Mounting holes	kg
BPA10-400400-0500	500	400	150	320	200	55	40	400	4	62
BPA10-400400-0650	650									86
BPA10-500500-0600	600	500	200	400	250	75	40	500	6	96
BPA10-500500-0750	750									135
BPA10-630630-0700	700	630	250	500	315	100	50	630	6	176
BPA10-630630-0850	850									202
BPA10-800800-0800	800	800	300	640	400	135	50	800	6	217
BPA10-800800-1000	1000									318

*Special Design Welcome !