

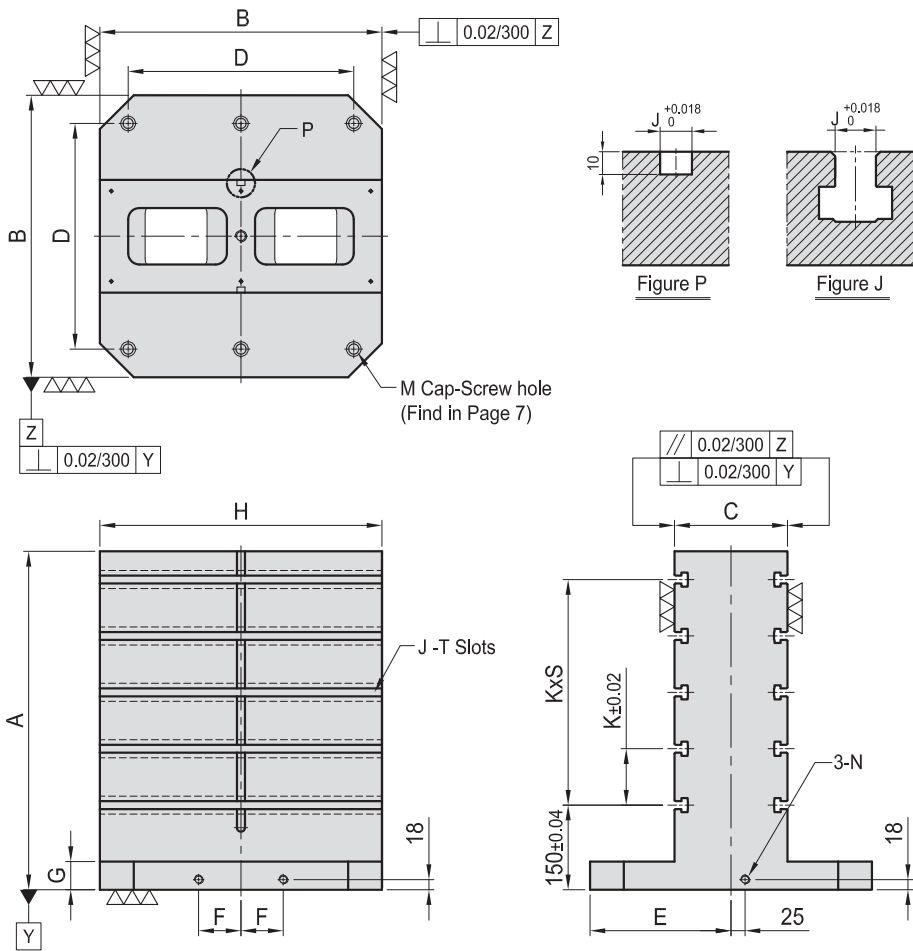


# BP12

## DOUBLE SIDED TOOLING COLUMN

- Material: Cast Iron FC300(JIS) / GG30(DIN)
- Heat treated (Normalized)
- Application: Horizontal Machining Center.
- Features: T-Slots running horizontally, key-way running vertically, easily adapts to standardized jig components.
- Eye bolt & top cover included.

- BP
- BPA
- BC
- CP
- SU
- PT
- SVF
- ALV
- OK-VISE
- OTHER



MODEL NO.	A	B	C	D	E	F	G	M	N	H	J	K	S	Mounting holes	kg	MODEL NO.	A	B	C	D	E	F	G	M	N	H	J	K	S	Mounting holes	kg
BP12-400400-0500-14	500	400	150	320	200	55	50	M16	M16	400	14	100	3	4	170	BP12-400400-0500-18	500	400	150	320	200	55	50	M16	M16	400	18	100	3	4	165
BP12-400400-0650-14	650												4	220	BP12-400400-0650-18	650	4												210		
BP12-500500-0600-14	600	500	200	400	250	75	50	M16	M16	500	14	100	4	6	290	BP12-500500-0600-18	600	500	200	400	250	75	50	M16	M16	500	18	100	4	6	280
BP12-500500-0750-14	750												5	335	BP12-500500-0750-18	750	5												325		
BP12-630630-0700-14	700	630	250	500	315	100	50	M16	M16	630	14	125	4	6	440	BP12-630630-0700-18	700	630	250	500	315	100	50	M16	M16	630	18	125	4	6	430
BP12-630630-0850-14	850												5	515	BP12-630630-0850-18	850	5												500		
BP12-800800-0800-14	800	800	300	640	400	135	50	M16	M16	800	14	150	4	6	670	BP12-800800-0800-18	800	800	300	640	400	135	50	M16	M16	800	18	150	4	6	660
BP12-800800-1000-14	1000												5	790	BP12-800800-1000-18	1000	5												785		
BP12-10001000-1000-14	1000	1000	350	800	500	165	55	M20	M16	1000	14	160	5	6	1158	BP12-10001000-1000-18	1000	1000	350	800	500	165	55	M20	M16	1000	18	160	5	6	1158
BP12-10001000-1250-14	1250												6	1375	BP12-10001000-1250-18	1250	6												1375		

\*Special Design Welcome !



# BPA12

## DOUBLE SIDED TOOLING COLUMN

- Material: High Strength Aluminum Casting.
- Application: Horizontal Machining Center.
- Features: T-Slots running horizontally, key-way running vertically, easily adapts to standardized jig components.
- Eye bolt & Top cover included.

BP

BPA

BC

CP

SU

PT

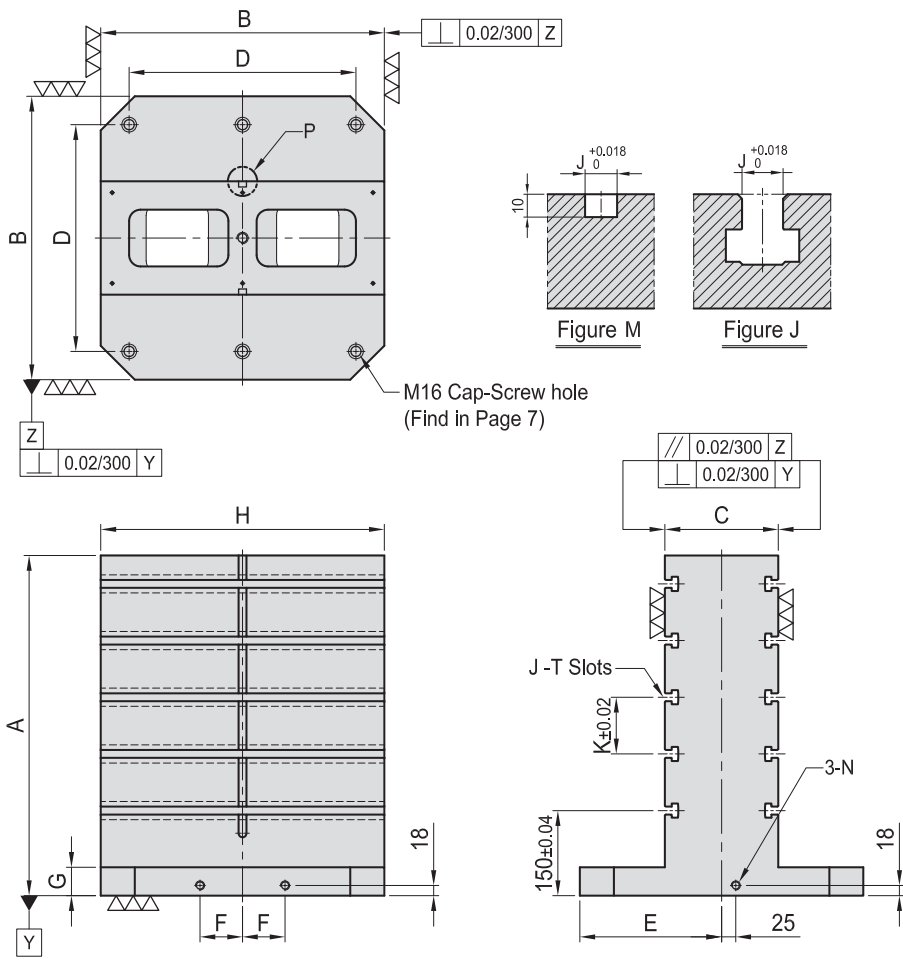
SVF

ALV

OK-VISE

OTHER

Column for Technical Data



MODEL NO.	A	B	C	D	E	F	G	H	J	K	Mounting holes	kg	MODEL NO.	A	B	C	D	E	F	G	H	J	K	Mounting holes	kg
BPA12-400400-0500-14	500	400	150	320	200	55	40	400	14	100	4	60	BPA12-400400-0500-18	500	400	150	320	200	55	40	400	18	100	4	60
BPA12-400400-0650-14	650											92	BPA12-400400-0650-18	650											92
BPA12-500500-0600-14	600	500	200	400	250	75	40	500	14	100	6	87	BPA12-500500-0600-18	600	500	200	400	250	75	40	500	18	100	6	86
BPA12-500500-0750-14	750											142	BPA12-500500-0750-18	750											142
BPA12-630630-0700-14	700	630	250	500	315	100	50	630	14	125	6	165	BPA12-630630-0700-18	700	630	250	500	315	100	50	630	18	125	6	163
BPA12-630630-0850-14	850											212	BPA12-630630-0850-18	850											212
BPA12-800800-0800-14	800	800	300	640	400	135	50	800	14	150	6	243	BPA12-800800-0800-18	800	800	300	640	400	135	50	800	18	150	6	240
BPA12-800800-1000-14	1000											325	BPA12-800800-1000-18	1000											325

\*Special Design Welcome !