



# BP13

## MODULAR TOOLING COLUMN

- Material: Cast Iron FC300(JIS) / GG30(DIN)
- Heat treated (Normalized)
- Application: Horizontal Machining Center.
- Features: Modular quick-change system, simple 3 point mounting, use with BP14 & BP15 subplates.
- Eye bolt, top cover & side covers included.

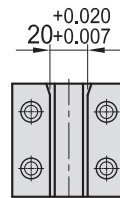
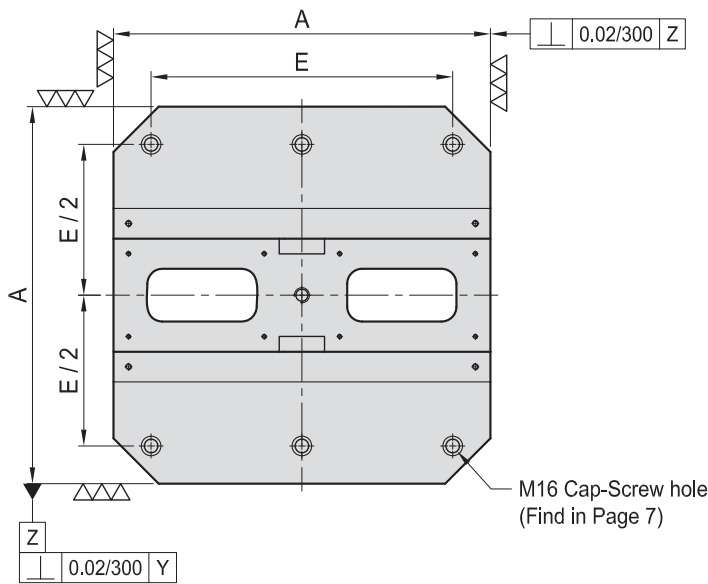
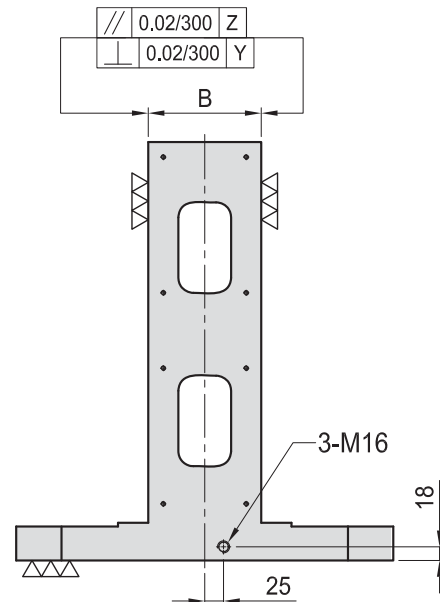
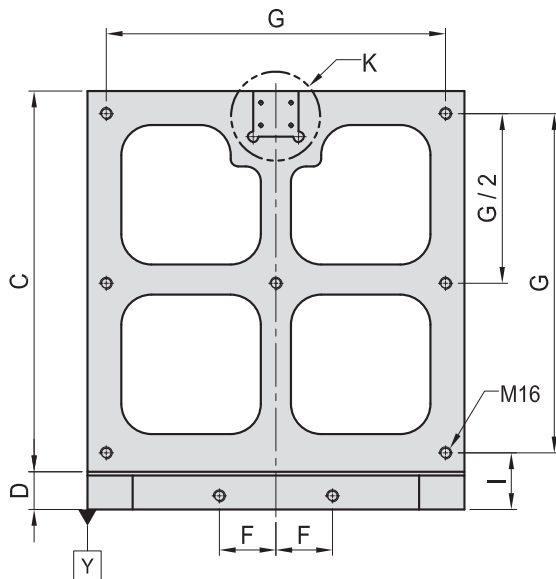


Figure K



MODEL NO.	A	B	C	D	E	F	G	I	Mounting holes	kg
BP13-400400-0450	400	130	400	50	320	55	350	70	4	125
BP13-500500-0555	500	150	500	55	400	75	450	75	6	178
BP13-630630-0690	630	220	630	60	500	100	580	80	6	350
BP13-800800-0860	800	250	800	60	640	135	750	80	6	515

\*Special Design Welcome !