

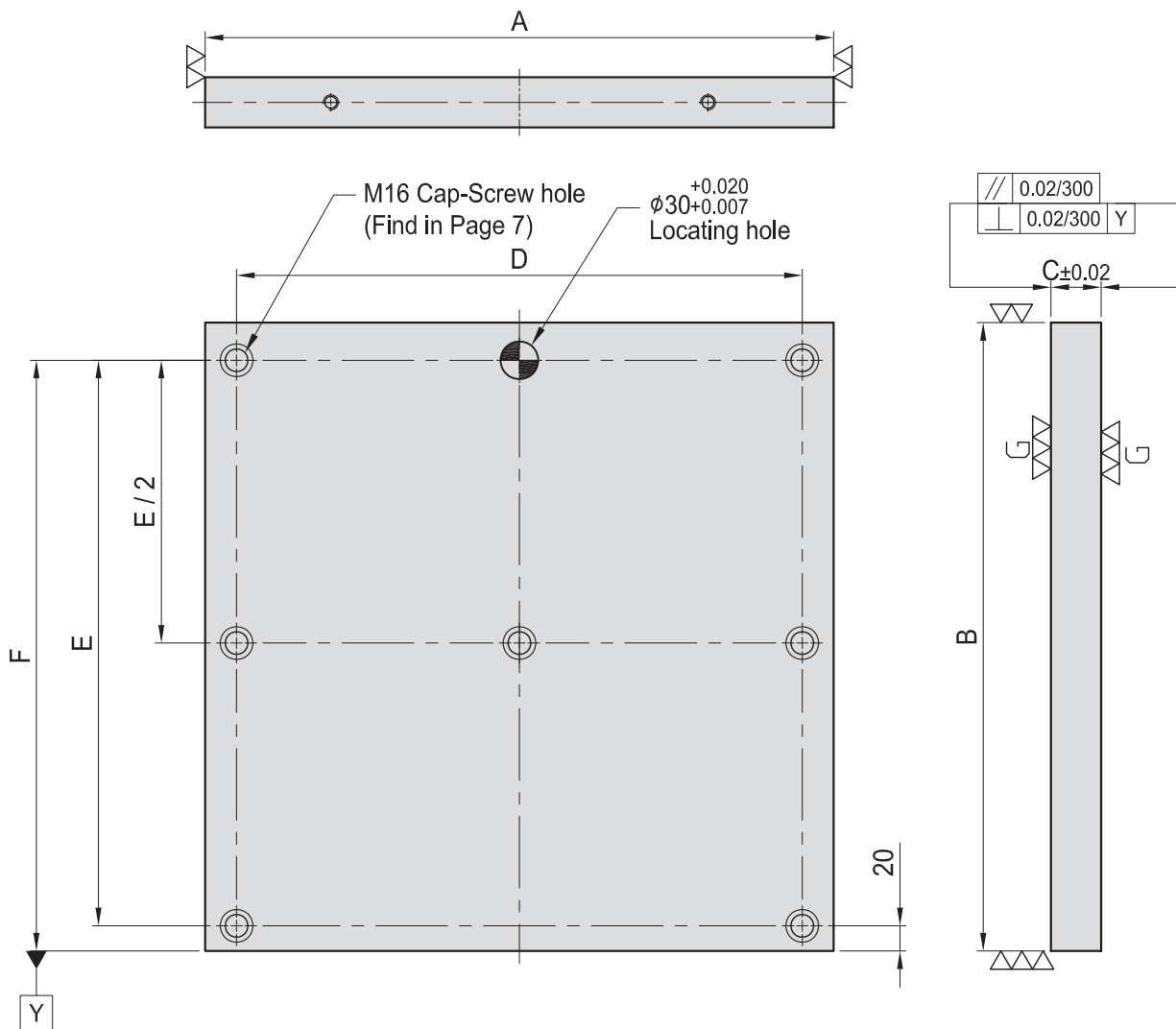
# BP14

## SUB-PLATE



- Material: Cast Iron FC300(JIS) / GG30(DIN)
- Heat treated (Normalized)
- Application: Modular quick change subplate, use with BP13.
- Features: Ready to accept a hole pattern for your special jig.

- BP
- BPA
- BC
- CP
- SU
- PT
- SVF
- ALV
- OK-VISE
- OTHER
- Column for Technical Data



MODEL NO.	A	B	C	D	E	F	Mounting holes	kg
BP14-40400-0400	400	400	40	350	350	370	5	46
BP14-40500-0500	500	500	40	450	450	470	7	72
BP14-40630-0630	630	630	40	580	580	600	7	114
BP14-50800-0800	800	800	50	750	750	770	7	232

\*Special Design Welcome !