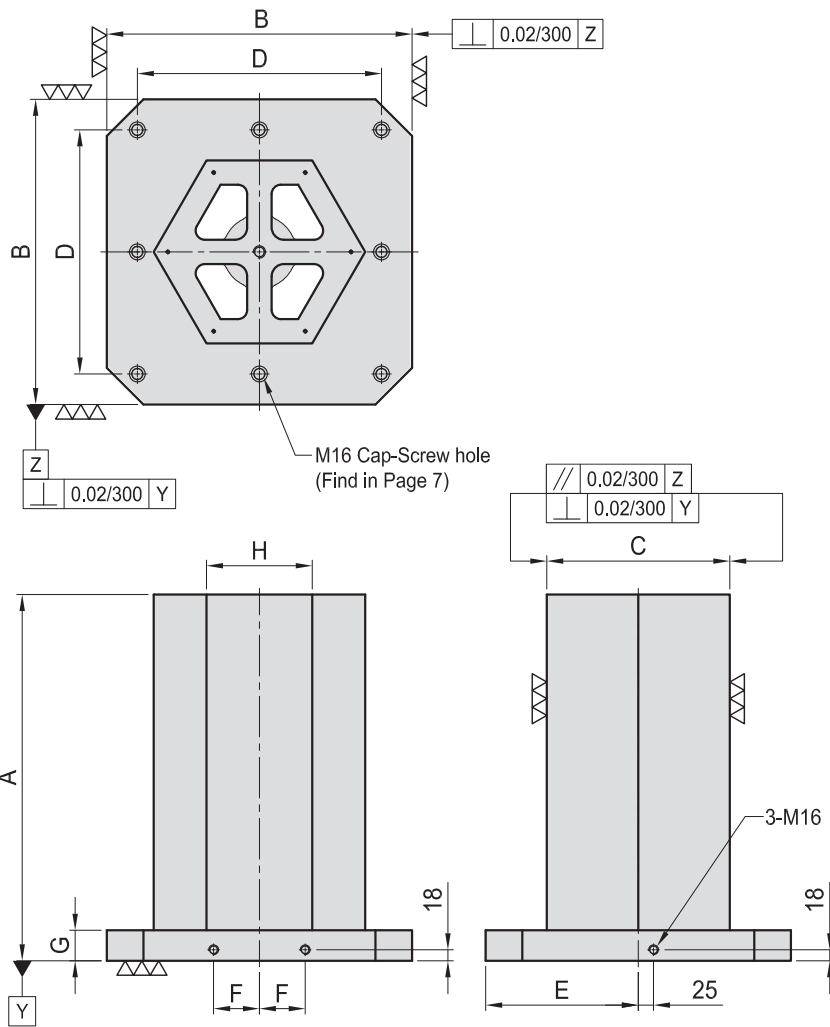




# BP31

## HEXAGONAL CUBE

- Material: Cast Iron FC300(JIS) / GG30(DIN)
- Heat treated (Normalized)
- Application: Horizontal Machining Center.
- Features: Ready to accept a hole pattern for your special jig.
- Eye bolt & top cover included.



MODEL NO.	A	B	C	D	E	F	G	H	Mounting holes	kg
BP31-400400-0500	500	400	250	320	200	55	50	144	4	151
BP31-400400-0650	650									183
BP31-500500-0600	600	500	300	400	250	75	50	173	8	233
BP31-500500-0750	750									272
BP31-630630-0700	700	630	350	500	315	100	50	202	8	361
BP31-630630-0850	850									408
BP31-800800-0800	800	800	500	640	400	135	50	289	8	619
BP31-800800-1000	1000									713

\*Special Design Welcome !