



# BP32

## HEXAGONAL CUBE

- Material: Cast Iron FC300 (JIS) / GG30 (DIN)
- Heat treated (Normalized)
- Alignment bushing: SUJ2(JIS) / 100Cr6(DIN), heat treated
- Threaded Insert: S45C(JIS) / CK45(DIN), heat treated
- MTP hole spacing:  $50 \pm 0.02$
- Application: Horizontal Machining Center.
- Features: Alignment bushing & thread insert at every hole location, easily adapts to standardized jig components.
- Eye bolt & top cover included.

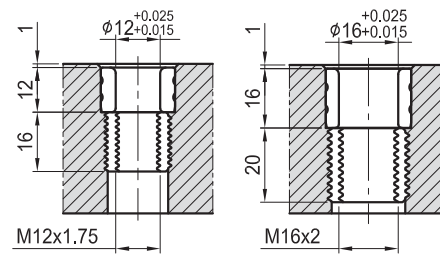
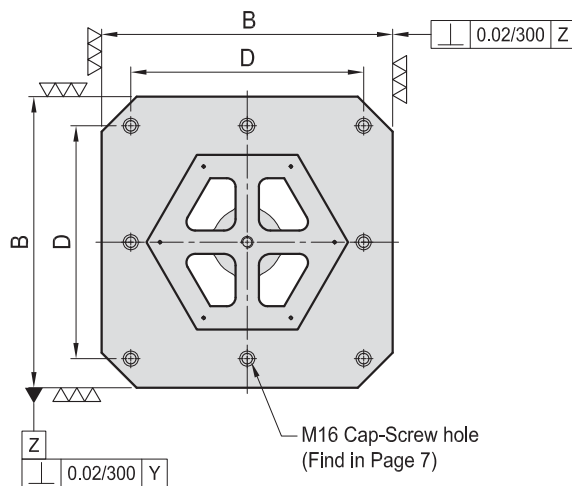
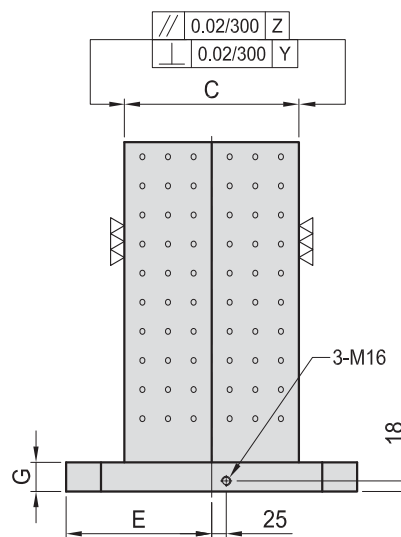
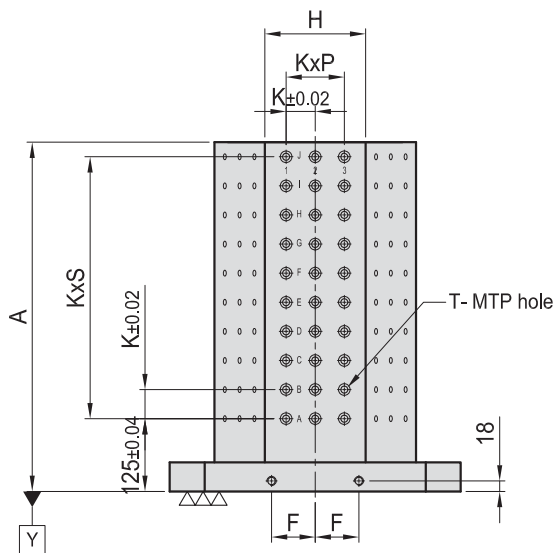


Figure T



MODEL NO.	A	B	C	D	E	F	G	H	K	P	S	T	MTP	Mounting holes	kg	MODEL NO.	A	B	C	D	E	F	G	H	K	P	S	T	MTP	Mounting holes	kg
BP32-400400-0500-12	500	400	250	320	200	55	50	144	50	1	7	Ø12	M12	96	149	BP32-400400-0500-16	500	400	250	320	200	55	50	144	50	1	7	Ø16	M16	96	147
BP32-400400-0650-12	650										10			132	180	BP32-400400-0650-16	650										10			132	177
BP32-500500-0600-12	600	500	300	400	250	75	50	173	50	2	9	Ø12	M12	180	228	BP32-500500-0600-16	600	500	300	400	250	75	50	173	50	2	9	Ø16	M16	180	224
BP32-500500-0750-12	750										12			234	267	BP32-500500-0750-16	750									12			234	262	
BP32-630630-0700-12	700	630	350	500	315	100	50	202	50	2	11	Ø12	M12	216	356	BP32-630630-0700-16	700	630	350	500	315	100	50	202	50	2	11	Ø16	M16	216	351
BP32-630630-0850-12	850										14			270	407	BP32-630630-0850-16	850									14			270	396	
BP32-800800-0800-12	800	800	500	640	400	135	50	289	50	4	13	Ø12	M12	420	609	BP32-800800-0800-16	800	800	500	640	400	135	50	289	50	4	13	Ø16	M16	420	600
BP32-800800-1000-12	1000										17			540	700	BP32-800800-1000-16	1000									17			540	688	

\*Special Design Welcome !

BP

BPA

BC

CP

SU

PT

SVF

ALV

OK-VISE

OTHER

Column for Technical Data