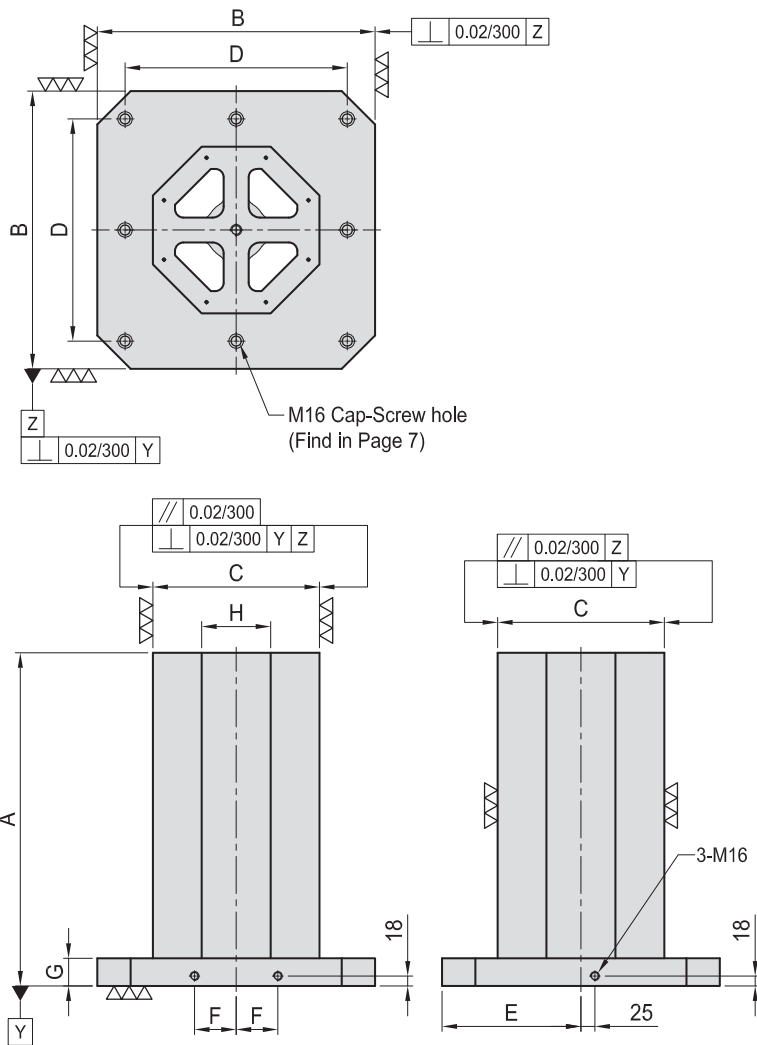




# BP33

## OCTAGONAL CUBE

- Material: Cast Iron FC300(JIS) / GG30(DIN)
- Heat treated (Normalized)
- Application: Horizontal Machining Center.
- Features: Ready to accept a hole pattern for your special jig.
- Eye bolt & top cover included.



MODEL NO.	A	B	C	D	E	F	G	H	Mounting holes	kg
BP33-400400-0500	500	400	250	320	200	55	50	103	4	148
BP33-400400-0650	650									179
BP33-500500-0600	600	500	300	400	250	75	50	124	8	227
BP33-500500-0750	750									264
BP33-630630-0700	700	630	350	500	315	100	50	145	8	350
BP33-630630-0850	850									395
BP33-800800-0800	800	800	500	640	400	135	50	207	8	622
BP33-800800-1000	1000									711

\*Special Design Welcome !