

BP34

OCTAGONAL CUBE

- Material: Cast Iron FC300 (JIS) / GG30 (DIN)
- Heat treated (Normalized)
- Alignment bushing: SUJ2(JIS) / 100Cr6(DIN), heat treated
- Threaded Insert: S45C(JIS) / CK45(DIN), heat treated
- MTP hole spacing: 50 ± 0.02
- Application: Horizontal Machining Center.
- Features: Alignment bushing & thread insert at every hole location, easily adapts to standardized jig components.
- Eye bolt & top cover included.

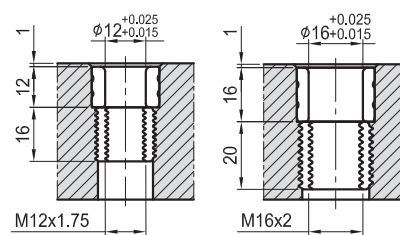
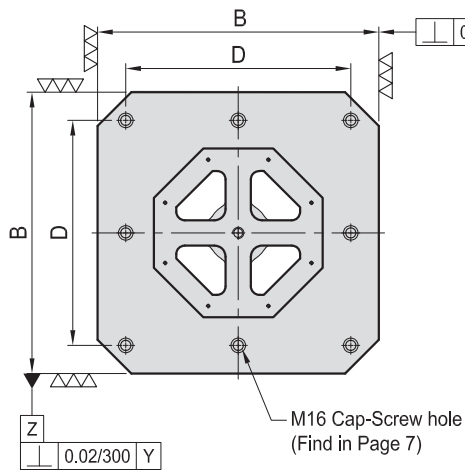
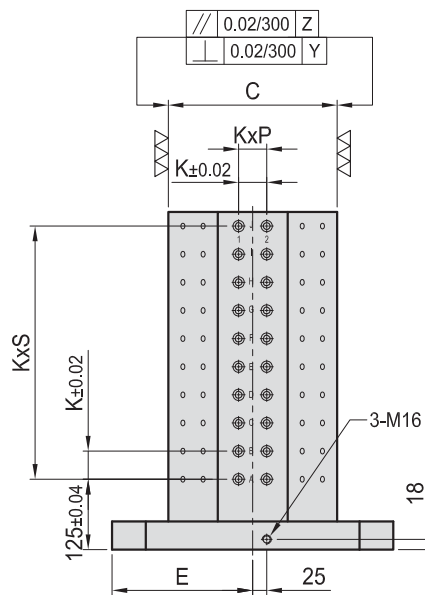
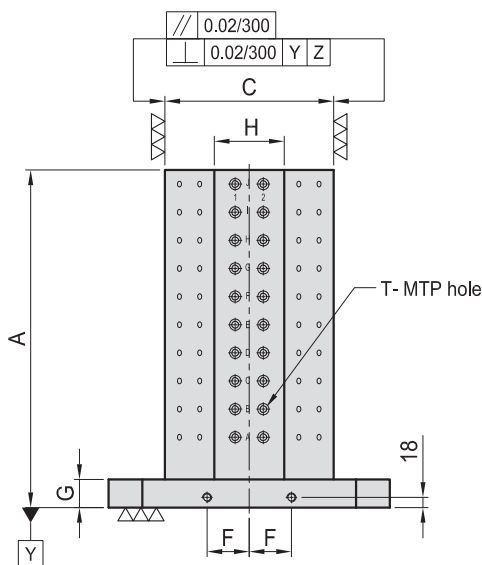


Figure T



MODEL NO.	A	B	C	D	E	F	G	H	K	P	S	T	MTP	Mounting holes	kg	MODEL NO.	A	B	C	D	E	F	G	H	K	P	S	T	MTP	Mounting holes	kg		
BP34-400400-0500-12	500	400	250	320	200	55	50	103	50	1	7	Ø12	M12	128	4	145	BP34-400400-0500-16	500	400	250	320	200	55	50	103	50	1	7	Ø16	M16	128	4	142
BP34-400400-0650-12	650										10			176		175	BP34-400400-0650-16	650									10			176		171	
BP34-500500-0600-12	600	500	300	400	250	75	50	124	50	1	9	Ø12	M12	160	8	223	BP34-500500-0600-16	600	500	300	400	250	75	50	124	50	1	9	Ø16	M16	160	8	219
BP34-500500-0750-12	750										12			208		259	BP34-500500-0750-16	750								12			208		255		
BP34-630630-0700-12	700	630	350	500	315	100	50	145	50	1	11	Ø12	M12	192	8	345	BP34-630630-0700-16	700	630	350	500	315	100	50	145	50	1	11	Ø16	M16	192	8	341
BP34-630630-0850-12	850										14			240		389	BP34-630630-0850-16	850								14			240		384		
BP34-800800-0800-12	800	800	500	640	400	135	50	207	50	3	13	Ø12	M12	448	8	611	BP34-800800-0800-16	800	800	500	640	400	135	50	207	50	3	13	Ø16	M16	448	8	601
BP34-800800-1000-12	1000										17			576		697	BP34-800800-1000-16	1000								17			576		685		

*Special Design Welcome !

BP

BPA

BC

CP

SU

PT

SVF

ALV

OK-VISE

OTHER

Column for Technical Data