



BP35

H/CAST SECTION

- Material: Cast Iron FC300(JIS) / GG30(DIN)
- Heat treated (Normalized)
- Features: Easily adapts to standardized jig components.

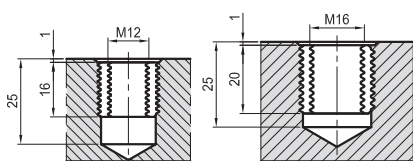
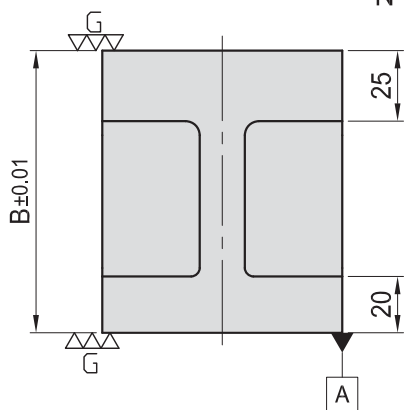
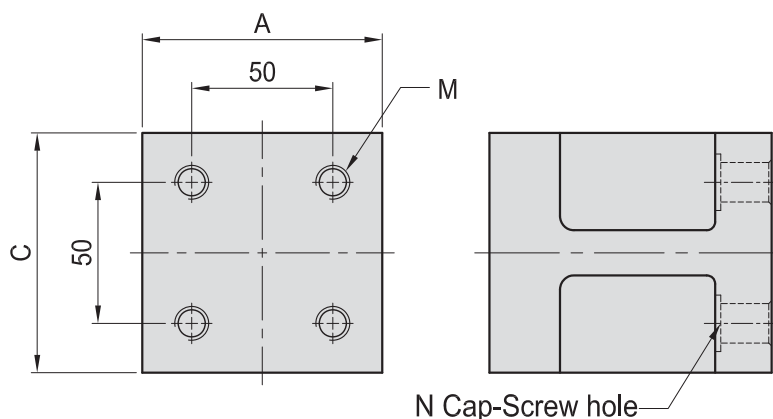


Figure M

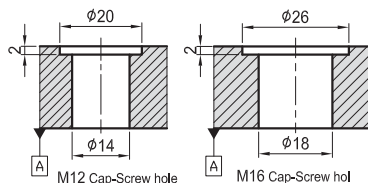


Figure N

MODEL NO.	A	B	C	M	N	kg
BP35-085085-0100-12	85	100	85	M12	M12	3.64
BP35-085085-0125-12		125				
BP35-085085-0100-16	85	100	85	M16	M16	4.13
BP35-085085-0125-16		125				

*Special Design Welcome !