

BP37

H/CAST SECTION

- Material / Finish:
Material: Cast Iron FC300(JIS) / GG30(DIN)
- Heat treated (Normalized)
- Features: Easily adapts to standardized jig components.

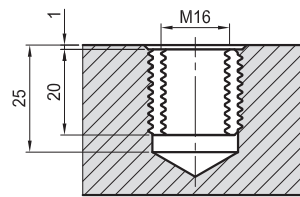
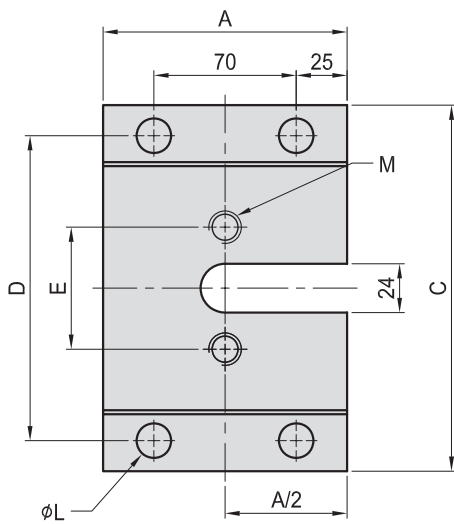
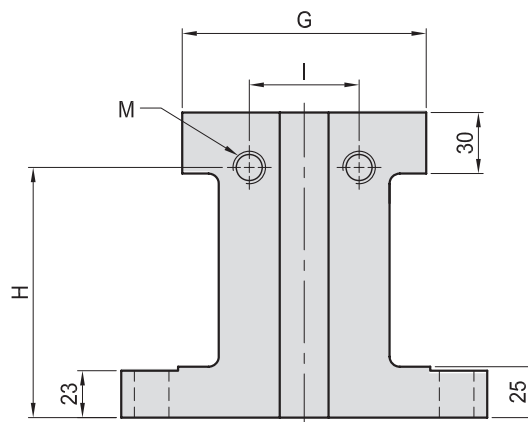
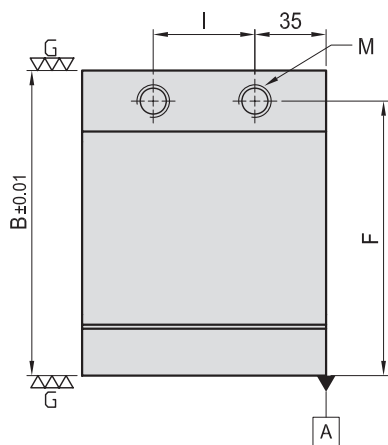


Figure M



| MODEL NO. | A | B | C | D | E | F | G | H | I | M | L | kg |
|---------------------|-----|-----|-----|-----|----|-----|-----|-----|----|-----|----|------|
| BP37-120180-0150-16 | 120 | 150 | 180 | 150 | 60 | 135 | 120 | 123 | 50 | M16 | 17 | 15.5 |

*Special Design Welcome !