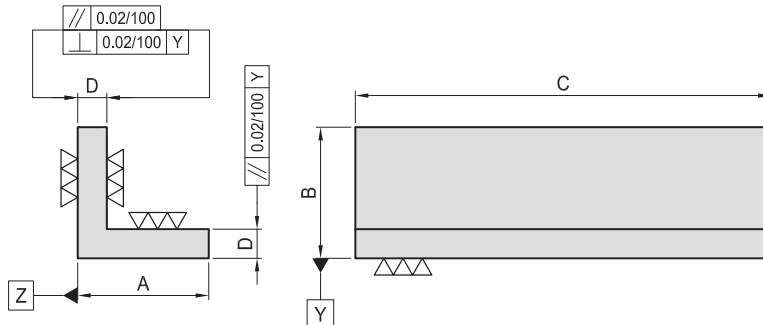


BC07

L-SECTION



- Material : Cast Iron.
FC-300 (JIS)
GG-30 (DIN)
- Heat treated : Normalized

MODEL NO.	A	B	C	D	kg
BC07-063063-200	63	63	200	14	2.3
BC07-063063-400			400		4.5
BC07-100100-200	100	100	200	20	5.2
BC07-100100-400			400		10.4

BP

BPA

BC

CP

SU

PT