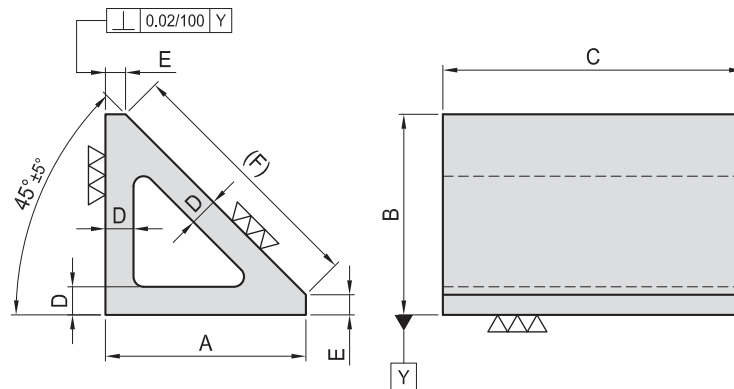


# BC13

## ANGULAR HOLLOW BLOCK 45°



- Material : Cast Iron.  
FC-300 ( JIS )  
GG-30 ( DIN )
- Heat treated : Normalized

MODEL NO.	A	B	C	D	E	F	kg
BC13-100100-150	100	100	150	14	10	127	4.5
BC13-100100-300			300				8.8
BC13-200200-150	200	200	150	22	20	255	15.0
BC13-200200-300			300				29.0

SVF

ALV

OK-  
VISE

OTHER

Column  
for  
Technical  
Data