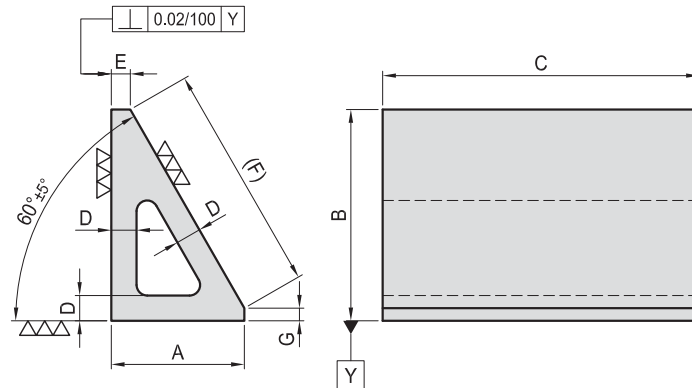


# BC14

## ANGULAR HOLLOW BLOCK 30°



- Material : Cast Iron.  
FC-300 ( JIS )  
GG-30 ( DIN )
- Heat treated : Normalized

MODEL NO.	A	B	C	D	E	F	G	kg
BC14-100063-150	63	100	150	12	9	108	6	3.0
BC14-100063-300			300					6.0
BC14-200125-150	125	200	150	20	14	222	8	9.5
BC14-200125-300			300					19.0