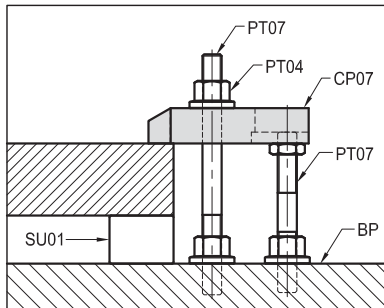
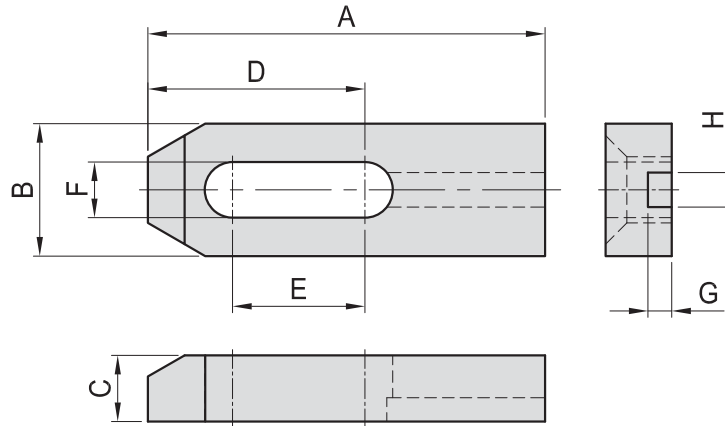


CP07

SLOTTED END CLAMP STRAP



- Material : S45C(JIS) / CK45(DIN)
- Heat treated : HRC 32°~38°.
- Surface finish : Black Oxide.
- Application : Locating slot keeps clamp properly oriented.



MODEL NO.	A	B	C	D	E	F	G	H	kg
CP07-12065	65	32	22	32	14	13	7	10	0.26
CP07-12080	80			48	25				0.31
CP07-12100	100			60	40				0.38
CP07-16080	80	38	22	40	17	17	8	12	0.38
CP07-16100	100			55	30				0.53
CP07-16125	125			70	45				0.65
CP07-20150	150	50	25	82	50	21	9	13	1.10
CP07-20200	200			112	80				1.40

BP

BPA

BC

CP

SU

PT