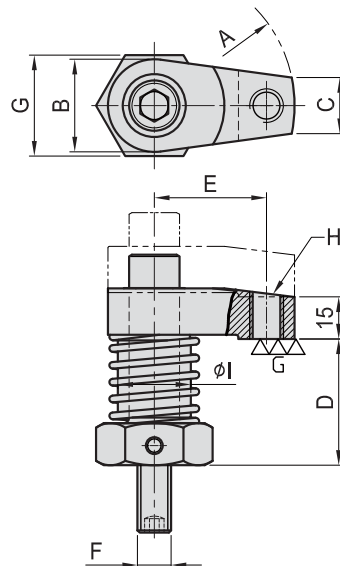
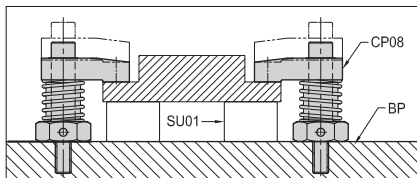


CP08

SWING CLAMP



- Material : SCM-4(JIS)
- Heat treated : HRC 38°~42°.
- Surface finish : Black Oxide.
- Application : Multipurpose swing clamp, available with plain or threaded toe.
- Features : A small clamp with good holding power, ideal for tight spaces, full swing a way featute permits easy part loading.



MODEL NO.	A	B	C	D	E	F	G	H	I	kg
CP08-1240-29	30	28	16	40	-	M12	29	-	22	0.29
CP08-1245-36	50	32	20	45	40	M12	36	M12	26	0.50
CP08-1645-36	50	32	20	45	40	M16	36	M12	26	0.50
CP08-1645-41	60	40	25	45	45	M16	41	M16	32	0.75

SVF

ALV

OK-
VISE

OTHER

Column
for
Technical
Data