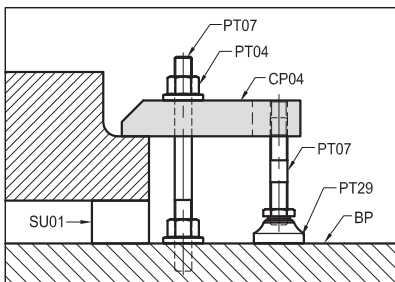
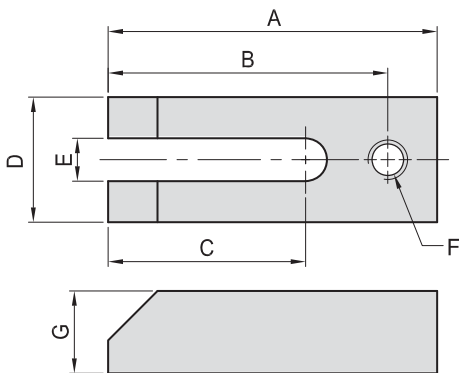


CP04

TAPPED END U-CLAMP



- Material : S45C(JIS) / CK45(DIN)
- Heat treated : HRC 32°~38°.
- Surface finish : Black Oxide.
- Features : Open end design permits easy assembly.



MODEL NO.	A	B	C	D	E	F	G	kg
CP04-12075	75	60	35	38	13	M12	19	0.31
CP04-12100	100	85	60				25	0.52
CP04-12125	125	110	85				25	0.64
CP04-14100	100	84	64	38	15	M14	25	0.39
CP04-14150	150	134	89				25	0.62
CP04-16100	100	80	45				50	17
CP04-16125	125	105	70	25	0.90			
CP04-16150	150	130	95	25	1.06			
CP04-18150	150	130	89	50	19	M18	32	1.05
CP04-18200	200	180	127				32	1.45
CP04-20150	150	130	95				60	21
CP04-20200	200	180	145	32	1.85			

SVF

ALV

OK-
VISE

OTHER

Column
for
Technical
Data