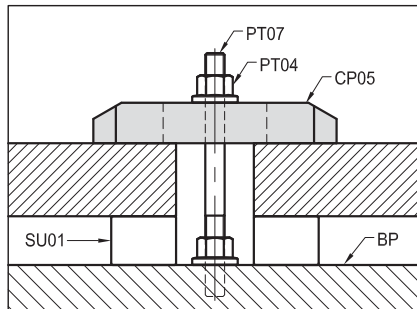
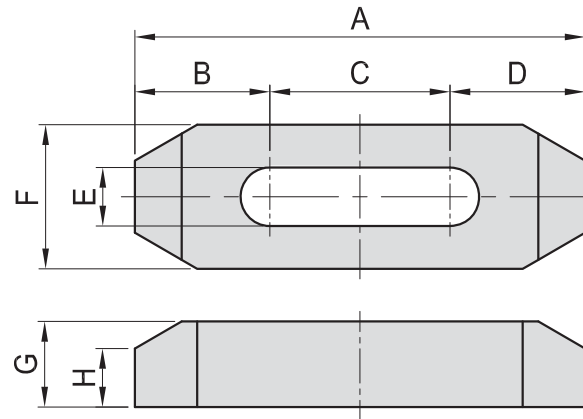


CP05

DOUBLE ENDED CLAMP



- Material : S45C(JIS) / CK45(DIN)
- Heat treated : HRC 32°~38°.
- Surface finish : Black Oxide.



MODEL NO.	A	B	C	D	E	F	G	H	kg
CP05-12065	65	20.0	25	20.0	13	32	19	13	0.22
CP05-12100	100	30.0	40	30.0			25	15	0.48
CP05-12150	150	49.5	51	49.5	17	38	22	14	0.34
CP05-16080	80	28.0	24	28.0			25	15	0.57
CP05-16125	125	42.0	41	42.0	21	38	22	14	0.41
CP05-16150	150	51.0	48	51.0			25	15	0.68
CP05-20100	100	34.0	32	34.0	26	50	22	14	0.41
CP05-20125	125	42.5	40	42.5			25	15	0.62
CP05-20150	150	51.0	48	51.0	26	50	32	19	0.82
CP05-24150	150	51.0	48	51.0			32	19	1.14