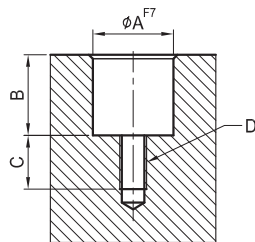


CP10

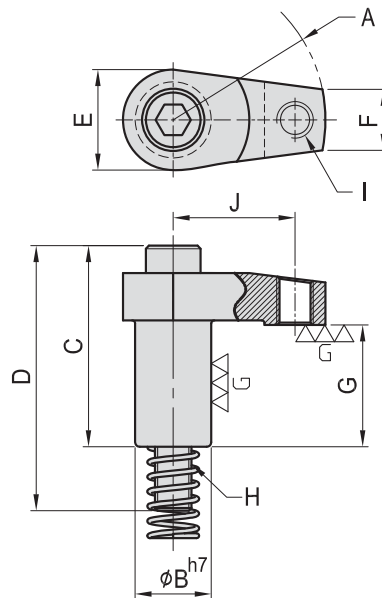
SWING CLAMP



- Material : SCM-4(JIS)
- Heat treated : HRC 38°~42°.
- Surface finish : Black Oxide.
- Application : Multipurpose swing clamp, available with plain or threaded toe.



Type	A	B	C	D
CP10-1022	22	30	20	M10
CP10-1225	25	40	25	M12
CP10-1632	32	40	25	M16



MODEL NO.	A	B	C	D	E	F	G	H	I	J	kg
CP10-1022	30	22	54.5	75	28	16	30	M10	-	-	0.20
CP10-1225	50	25	66.0	87	33	20	40	M12	M12	40	0.35
CP10-1632	60	32	69.5	96	40	26	40	M16	M12	45	0.61