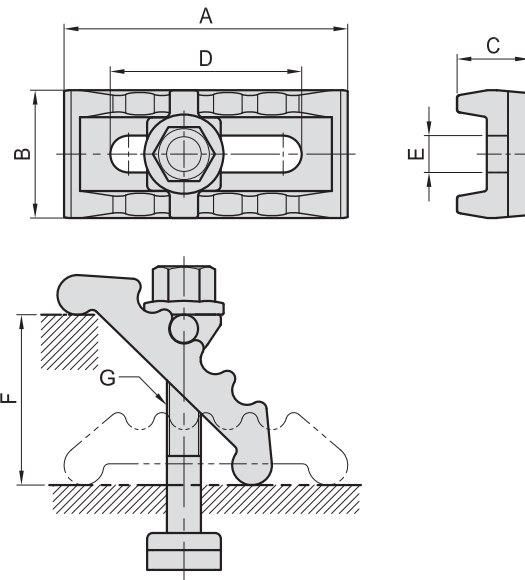


# CP21

## UNIVERSAL CLAMP



- Material : S45C(JIS), Forging.
- Heat treated : HRC 32°~38°.
- Surface finish : Black Oxide.



MODEL NO.	A	B	C	D	E	F	G	kg
CP21-12100	100	45	26	67.5	13	60	M12-100	1.1
CP21-16125	125	56	33	84.0	18	65	M16-125	2.1