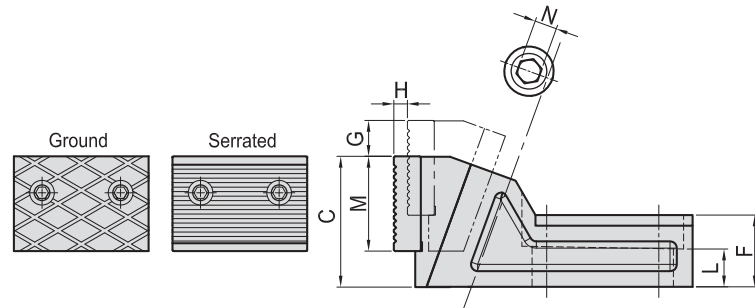
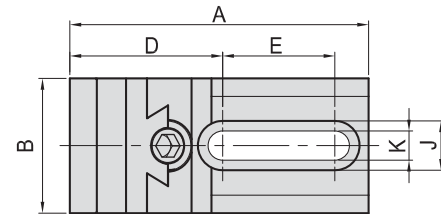
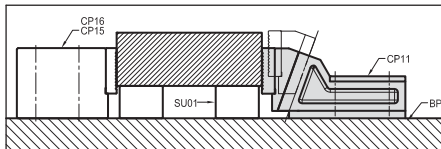


CP11

FREE JAW VISE



- Material : FCD 45(JIS)
- Heat treated : Nnormalized.
- Application : Ideal for holding large or irregular shapes.
- Features : Clamping force in 2 directions, available with plain or serrated jaws.



MODEL NO.	A	B	C	D	E	F	G	H	J	K	L	M	N	Type	kg
CP11-1260-G	133	60	58	68	50	32	16	6	22	13	16.8	42	10	Ground	2.1
CP11-1685-G	187	85	80	92	70	50	24	9	30	17	23.4	60	14		5.6
CP11-1260-S	133	60	58	68	50	32	16	6	22	13	16.8	42	10	Serrated	2.1
CP11-1685-S	187	85	80	92	70	50	24	9	30	17	23.4	60	14		5.6

BP

BPA

BC

CP

SU

PT