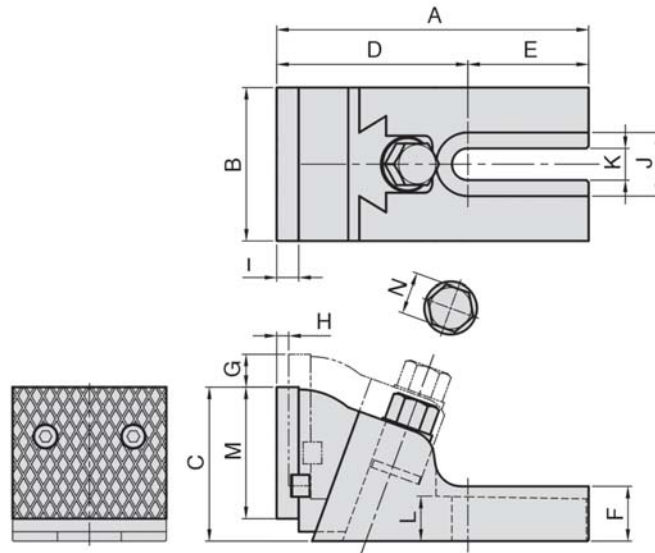


# CP23

## FREE VISE



- Material Heat Treated and surface to be treated with Black Oxide.



MODEL NO.	A	B	C	D	E	F	G	H	I	J	K	L	M	N	kg
CP23-12140	142	70	70	87	55	25	14	5	10	29	14,5	20,5	60	19	6,3
CP23-16195	192	85	85	103	88	30	15	5	12	37	17,0	24,0	70	24	11,0
CP23-20220	220	110	104	120	100	36	20	7	13	42	21,0	28,0	85	30	21,0

BP

BPA

BC

CP

SU

PT