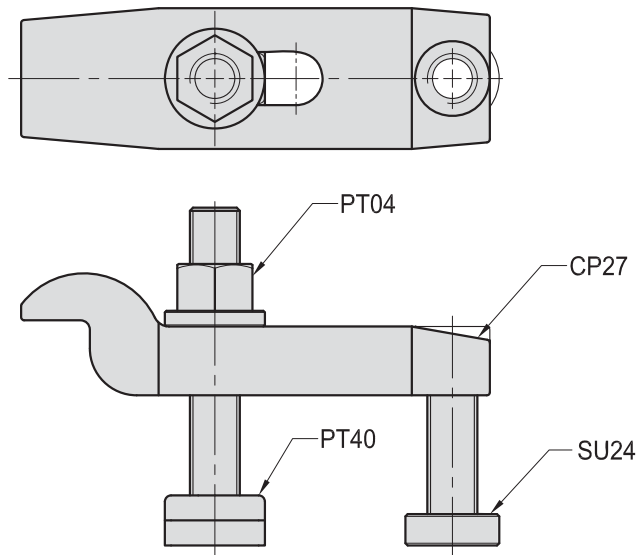


# CP28

## GOOSE NECK CLAMP



- Material : S45C(JIS), steel forging.
- Surface finish : Black Oxide.



MODEL NO.	CP27	PT40	PT04	SU24	kg
CP28-ZC-40	16100	16100	1624	12060	1.5
CP28-ZC-60	16150	16100	1624	16070	2.6

SVF

ALV

OK-  
VISE

OTHER

Column  
for  
Technical  
Data