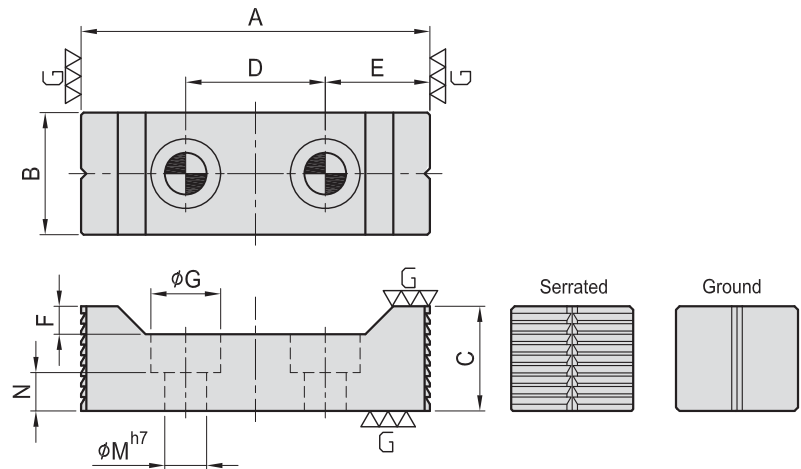


# CP29

## BLOCK STOP



- Material : S45C
- Heat treated : HRC 32°~38°.
- Surface finish : Black Oxide.
- Application : used with CP12.



MODEL NO.	A	B	C	D	E	F	G	M	N	kg	TYPE
CP29-12100-S	100	35	30	40	30	8	20	12	11	0.59	Serrated
CP29-16130-S	130	40	40	50	40	10	26	16	14	1.20	
CP29-12100-G	100	35	30	40	30	8	20	12	11	0.59	Ground
CP29-16130-G	130	40	40	50	40	10	26	16	14	1.20	