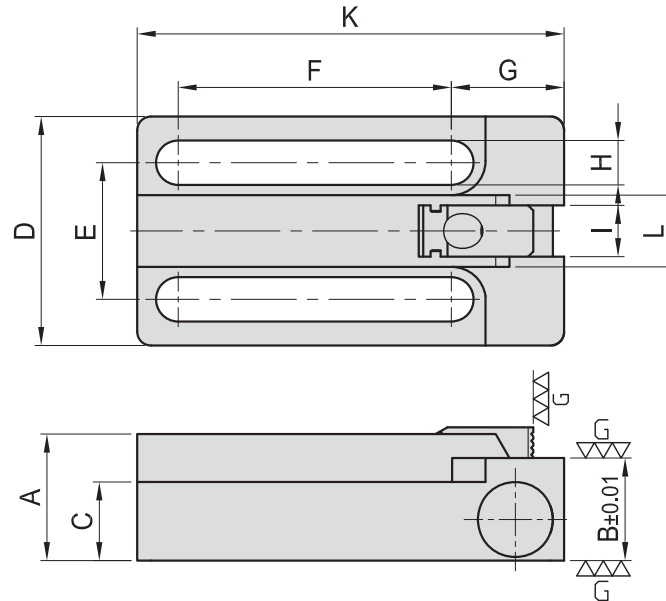


# CP31

## CLAMPING PARTS



MODEL NO.	A	B	C	D	E	F	G	H	I	K	L	kg
CP31-1240				67	40	80	33.0	13.0		125		1.36
CP31-1250	37	30	23	77	50	85	33.0	13.0	15	130	21	1.71
CP31-1650				77	50	85	34.5	16.5		130		1.54

BP

BPA

BC

CP

SU

PT