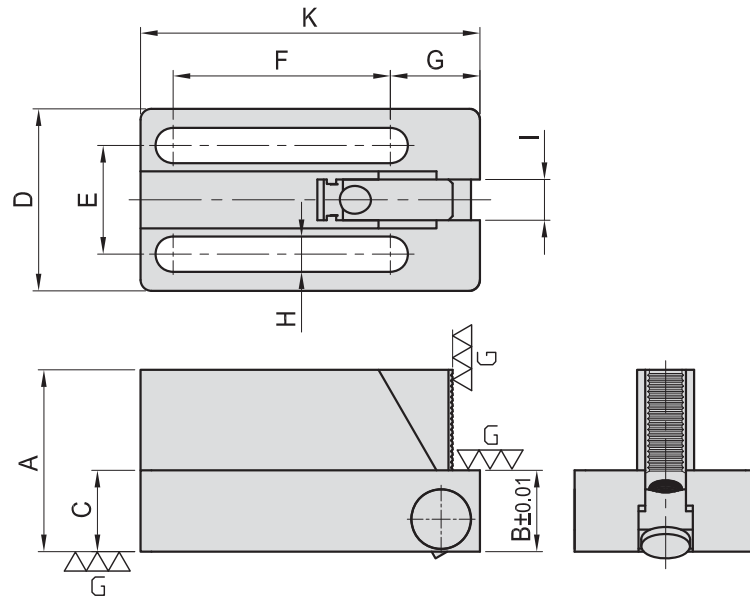


CP33

CLAMPING PARTS



MODEL NO.	A	B	C	D	E	F	G	H	I	K	kg
CP33-1240	67	30	30	67	40	80	33.0	13.0	15	125	2.02
CP33-1250				77	50	85	33.0	13.0		130	2.45
CP33-1650				77	50	85	34.5	16.5		130	2.25