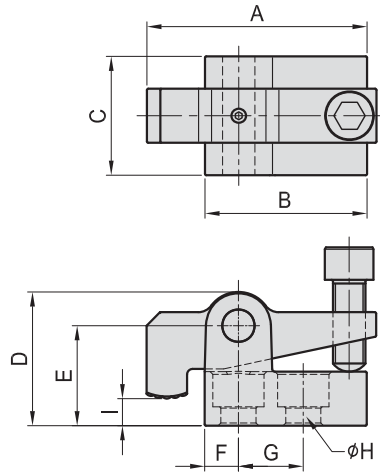


CP14

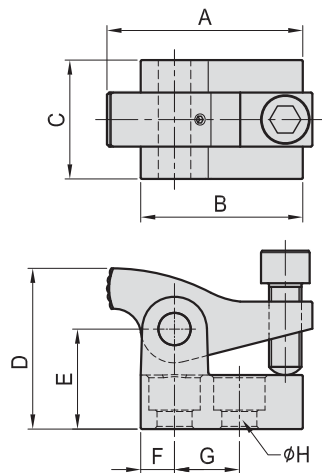
PIVOTING SIDE CLAMP

CP14A



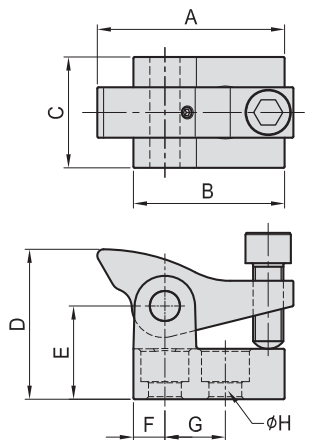
MODEL NO.	A	B	C	D	E	F	G	H	I	kg
CP14A-126045	81.5	60	44	49	37	12.5	24	13	5-15	0.78
CP14A-169068	121.0	91	68	64	47	18.0	36	18	5-15	2.26

CP14B



MODEL NO.	A	B	C	D	E	F	G	H	kg
CP14B-126045	72.5	60	44	59.5	37	12.5	24	13	0.73
CP14B-169068	108.0	91	68	82.0	47	18.0	36	18	2.20

CP14C



MODEL NO.	A	B	C	D	E	F	G	H	kg
CP14C-126045	75	60	44	59.5	37	12.5	24	13	0.73
CP14C-169068	110	91	68	82.0	47	18.0	36	18	2.12

- Material : S45C.
- Surface finish : Black Oxide.
- Application : Clamp that is well suited for castings and odd shaped workpieces.
- Pivoting nose has a serrated jaw that clamps forward and downward simultaneously.

BP

BPA

BC

CP

SU

PT

SVF

ALV

OK-
VISE

OTHER

Column
for
Technical
Data