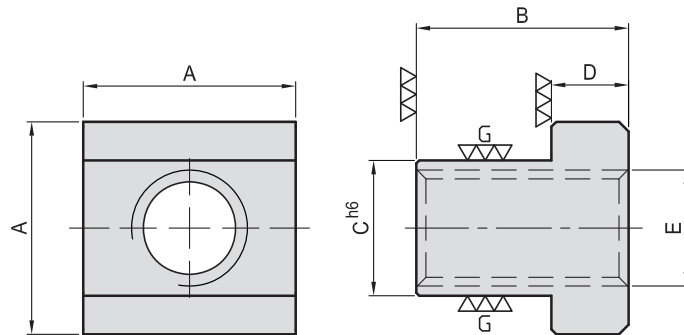


PT08

T-SLOT NUT(GROUND)



- Material : S45C(JIS) / CK45(DIN)
- Heat treated : HRC 30°~35°
- Application : Ground surfaces provide accurate positioning inside of t-slot.



| MODEL NO. | A | B | C | D | E | kg |
|-----------|----|----|----|----|-----|-------|
| PT08-1214 | 22 | 22 | 14 | 8 | M12 | 0.045 |
| PT08-1618 | 28 | 30 | 18 | 10 | M16 | 0.080 |