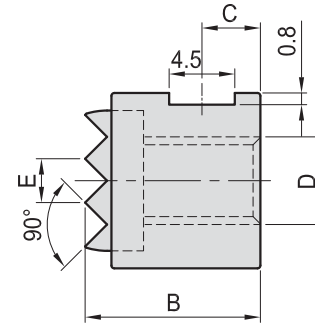
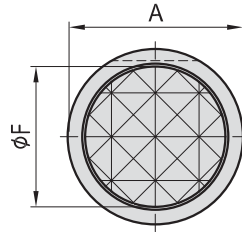
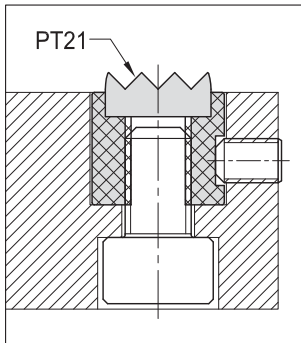


PT21

GRIPPER PAD(ROUND)



- Material : S45C(JIS)/CK45(DIN)
- Heat treated : HRC 33°
- Surface finish : Black Oxide.
- Application : Multipurpose work support and clamping unit, ideal for rough parts.



MODEL NO.	A	B	C	D	E	F	kg
PT21-1010	10	10.0	3.4	M5	2.3	8.1	0.005
PT21-1212	12	12.0	4.0	M6	3.0	9.6	0.008
PT21-1612	16					13.0	0.016
PT21-2012	20	12.0	4.0	M6	3.0	16.3	0.025
PT21-2512	25					19.5	0.040

Tooth plate

- Material : SKH9(JIS)
S18-1-2-5(DIN)
- Heat treated : HRC 60°

MODEL NO.	A	B	C	D	E	F	kg
PT21-1010-K	10	10.0	3.4	M5	2.3	8.1	0.005
PT21-1212-K	12	12.0	4.0	M6	3.0	9.6	0.008
PT21-1612-K	16					13.0	0.016
PT21-2012-K	20	12.0	4.0	M6	3.0	16.3	0.025
PT21-2512-K	25					19.5	0.040

Tooth plate

- Material : extremely hard

SVF

ALV

OK-
VISE

OTHER

Column
for
Technical
Data