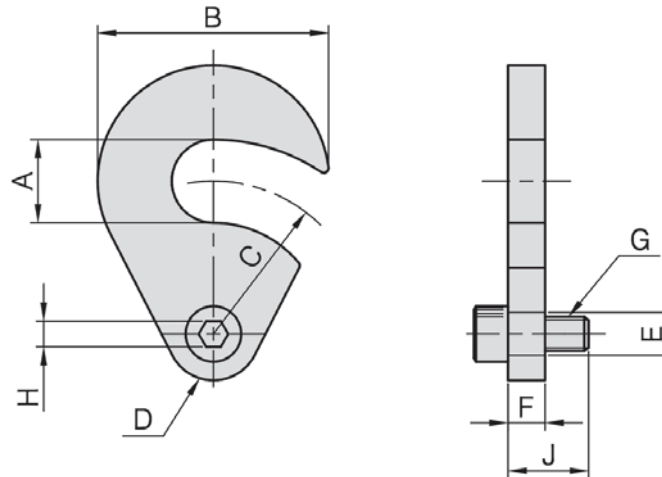


PT24

SWING "C" WASHER



- Material : 4140(JIS)/CK45(DIN)
- Heat treated : HRC 40°
- Surface finish : Black Oxide.
- Application : C washer that swings out of the way for clean loading. Can be reversed to swing into position either clockwise or counter-clockwise.



MODEL NO.	A	B	C	D	E	F	G	H	J	kg
PT24-0632	11.0	32	24	16	8	6	M6	8	15	0.050
PT24-0840	13.5	40	27	20	10	8	M8	10	20	0.090
PT24-0850	18.0	50	33	20	10	8	M8	10	20	0.130

BP

BPA

BC

CP

SU

PT