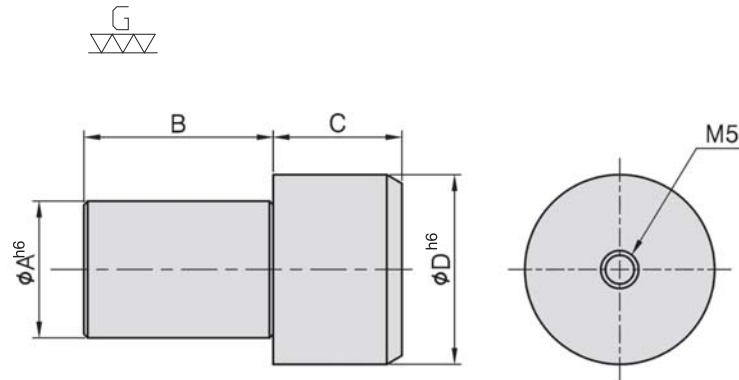


PT32

SHOULDER DOWEL PIN



- Material : SCM435(JIS)/34CrMo4(DIN)
- Heat treated : HRC 55°
- Application : Multifunction Positioning.



MODEL NO.	A	B	C	D	kg
PT32-081225	8	13	12	12	0.012
PT32-121632	12	18	14	16	0.032
PT32-142037	14	22	15	20	0.052
PT32-162239	16	22	17	22	0.072
PT32-182542	18	25	17	25	0.098

BP

BPA

BC

CP

SU

PT