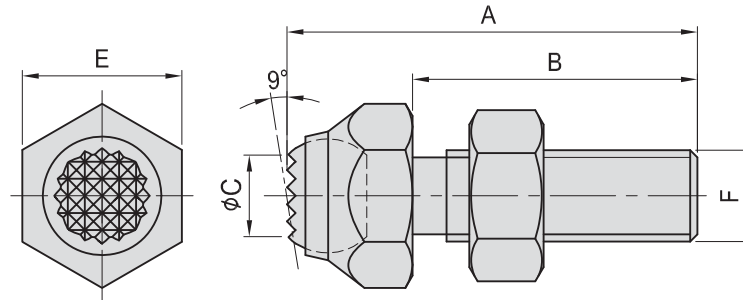


# PT35

## SWIVELING JACK SCREW



- Material :  
Body : S45C(JIS)  
Ball : SUJ2(JIS)
- Heat treated :  
Body : HRC 28°~32°  
Ball : HRC 62°
- Surface finish : Black Oxide.

MODEL NO.	A	B	C	E	F	kg
PT35-0814	36	25	7	14	M8x1.25	0.025
PT35-1017	45	30	8	17	M10x1.50	0.055
PT35-1217	50	35	10	17	M12x1.75	0.055
PT35-1624	60	40	12	24	M16x2.00	0.140
PT35-2036	87	60	14	36	M20x2.50	0.330
PT35-2436	98	66	18	36	M24x2.00	0.660
PT35-3046	110	75	21	46	M30x2.00	1.100

BP

BPA

BC

CP

SU

PT