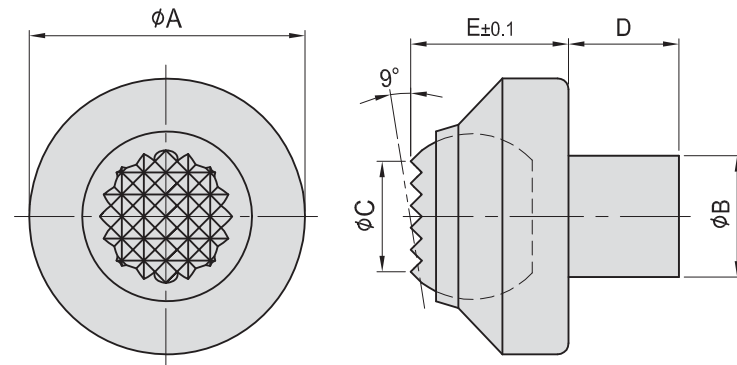


PT37

SWIVEL REST TIP



- Material :
Body : S45C(JIS)
Ball : SUJ2(JIS)
- Heat treated :
Body : HRC 28°~32°
Ball : HRC 62°
- Surface finish : Black Oxide.



MODEL NO.	A	B	C	D	E	kg
PT37-1116	25	11	10	10	14.3	0.03
PT37-1118	30	11	12	10	18.0	0.04