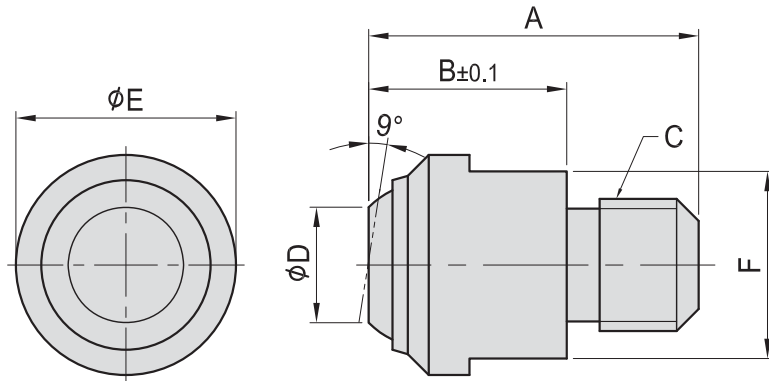


PT50

SMOOTH BALL END BOLT



- Material :
Bolt : S45C(JIS) / CK45(DIN)
Ball : SUJ2(JIS) / 100Cr6(DIN)
- Heat treated :
Bolt : HRC 28°~32°
Ball : HRC 62°
- Surface finish : Black Oxide.
- Application : Precision swivel ball that can be used either as a contact bolt or as a rest pad. As contact bolts, these swivel-ball units are ideal for evenly distributing clamping pressure on sloped or uneven surfaces.
- Features : Precision ground top surface.



MODEL NO.	A	B	C	D	E	F	max (KN)	g
PT50-0613	21	13	M6x1.00	7.2	13	11	10	12
PT50-0813	21	13	M8x1.25	7.2	13	11	10	13
PT50-0818	28	18		10.5	20	17	25	38
PT50-1018	28	18	M10x1.50	10.5	20	17	25	40
PT50-1218	30		M12x1.75					
PT50-1627	43	27	M16x2.00	20.0	30	27	90	150
PT50-2035	55	35	M20x2.50	34.5	50	41	165	520

*Applies only when the minimum bore depth is kept to.

BP

BPA

BC

CP

SU

PT