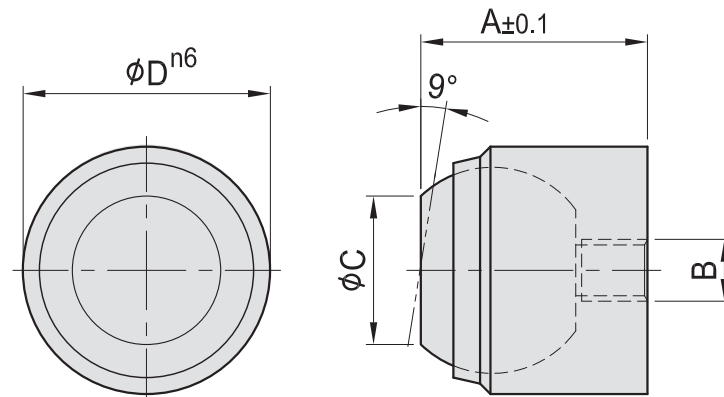


# PT52

## SMOOTH BALL END BOLT



- Material :  
Bolt : S45C(JIS) / CK45(DIN)  
Ball : SUJ2(JIS) / 100Cr6(DIN)
- Heat treated :  
Bolt : HRC 28~32°  
Ball : HRC 62°
- Surface finish : Black Oxide.
- Application : Precision swivel ball that can be used either as a contact bolt or as a rest pad. As contact bolts, these swivel-ball units are ideal for evenly distributing clamping pressure on sloped or uneven surfaces.
- Features : Precision ground top surface.



MODEL NO.	A	B	C	D	max (kN)	g
PT52-0311	11	M3x0.5	7.2	12	10	8
PT52-0417	17	M4x0.7	10.5	18	25	30
PT52-0525	25	M5x0.8	20.0	28	90	80

\*Applies only when the minimum bore depth is kept to.