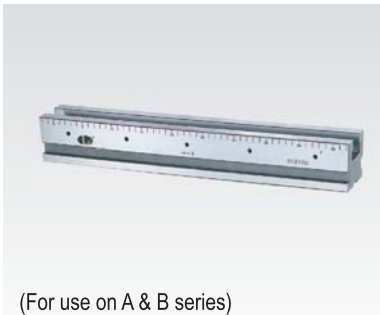
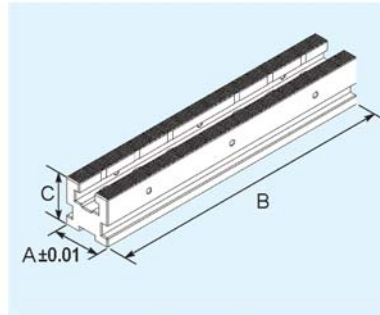


Main body

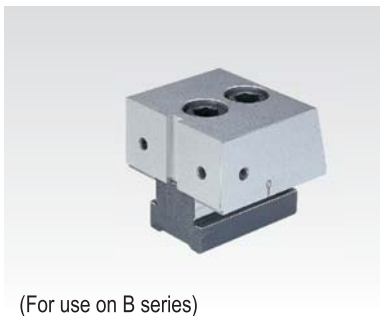


(For use on A & B series)

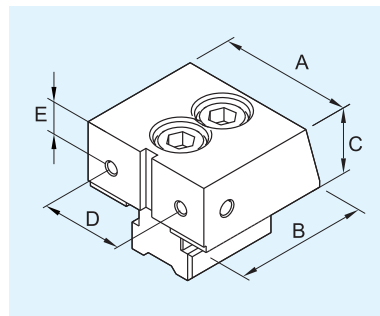


| TYPE | A | B | C | kg |
|--------------------|-----|-----|----|------|
| SVF-AB01-5030-80 | 50 | 300 | 50 | 4.0 |
| SVF-AB01-5030-100 | | | | |
| SVF-AB01-5040-80 | 50 | 400 | 50 | 5.3 |
| SVF-AB01-5040-100 | | | | |
| SVF-AB01-5050-80 | 50 | 500 | 50 | 6.7 |
| SVF-AB01-5050-100 | | | | |
| SVF-AB01-5060-80 | 50 | 600 | 50 | 8.0 |
| SVF-AB01-5060-100 | | | | |
| SVF-AB01-5070-80 | 50 | 700 | 50 | 9.5 |
| SVF-AB01-5070-100 | | | | |
| SVF-AB01-7240-100 | 72 | 400 | 72 | 11.2 |
| SVF-AB01-7250-100 | | 500 | | 14.0 |
| SVF-AB01-7260-100 | | 600 | | 17.0 |
| SVF-AB01-7270-100 | 72 | 700 | 72 | 20.0 |
| SVF-AB01-10040-100 | 100 | 400 | 72 | 16.0 |
| SVF-AB01-10050-100 | | 500 | | 20.0 |
| SVF-AB01-10060-100 | | 600 | | 24.0 |
| SVF-AB01-10070-100 | 100 | 700 | 72 | 28.0 |

Stationary wedge-heavy duty



(For use on B series)

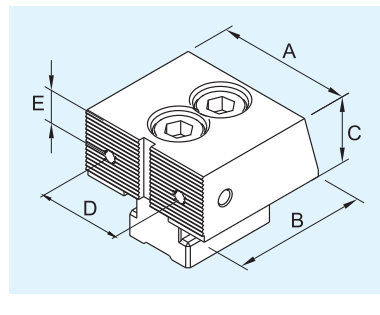


| TYPE | A | B | C | D | E | kg |
|--------------|-----|----|----|----|------|-----|
| SVF-AB02-50 | 50 | 50 | 25 | 30 | 12.5 | 0.6 |
| SVF-AB02-72 | 72 | 74 | 40 | 44 | 21.5 | 2.0 |
| SVF-AB02-100 | 100 | 75 | 43 | 64 | 22.0 | 2.6 |

Serrated stationary wedge-heavy duty



(For use on B series)

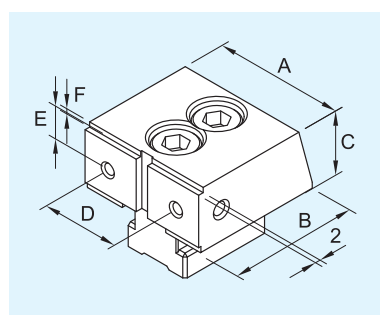


| TYPE | A | B | C | D | E | kg |
|---------------|-----|----|----|----|------|-----|
| SVF-ABG02-50 | 50 | 50 | 25 | 30 | 12.5 | 0.6 |
| SVF-ABG02-72 | 72 | 74 | 40 | 44 | 21.5 | 2.0 |
| SVF-ABG02-100 | 100 | 75 | 43 | 64 | 22.0 | 2.6 |

Step stationary wedge-heavy duty



(For use on B series)

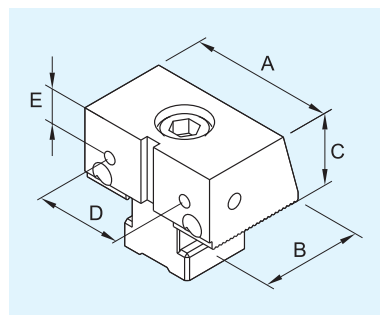


| TYPE | A | B | C | D | E | F | kg |
|----------------|-----|----|----|----|------|---|-----|
| SVF-ABS02-502 | 50 | 50 | 25 | 30 | 12.5 | 2 | 0.6 |
| 5 | | | | | | | |
| SVF-ABS02-505 | | | | | | | |
| SVF-ABS02-722 | 72 | 74 | 40 | 44 | 21.5 | 2 | 2.0 |
| 5 | | | | | | | |
| SVF-ABS02-725 | | | | | | | |
| SVF-ABS02-1002 | 100 | 75 | 43 | 64 | 22.0 | 2 | 2.6 |
| 5 | | | | | | | |
| SVF-ABS02-1005 | | | | | | | |

Stationary wedge - standard duty



(For use on A, BE & C series)



| TYPE | A | B | C | D | E | kg |
|--------------|-----|----|----|----|------|-----|
| SVF-AB03-50 | 50 | 35 | 25 | 30 | 12.5 | 0.4 |
| SVF-AB03-72 | 72 | 48 | 40 | 44 | 21.5 | 1.1 |
| SVF-AB03-100 | 100 | 48 | 43 | 64 | 22.0 | 1.7 |

BP

BPA

BC

CP

SU

PT

SVF

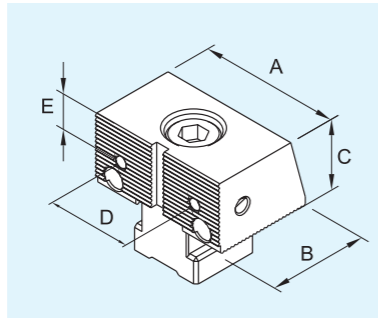
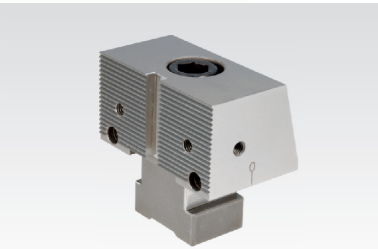
ALV

OK-VISE

OTHER

Column for Technical Data

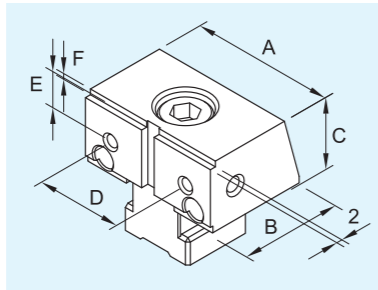
Serrated stationary wedge - standard duty



| TYPE | A | B | C | D | E | kg |
|---------------|-----|----|----|----|------|-----|
| SVF-ABG03-50 | 50 | 35 | 25 | 30 | 12.5 | 0.4 |
| SVF-ABG03-72 | 72 | 48 | 40 | 44 | 21.5 | 1.1 |
| SVF-ABG03-100 | 100 | 48 | 43 | 64 | 22.0 | 1.7 |

(For use on A ,BE & C series)

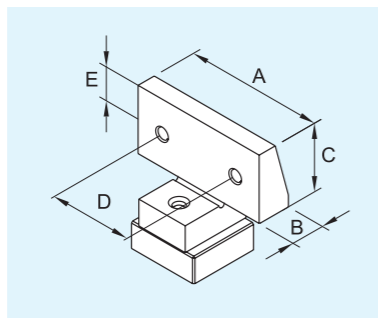
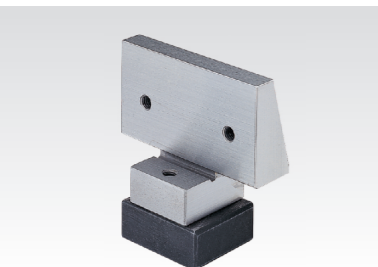
Step stationary wedge - standard duty



| TYPE | A | B | C | D | E | F | kg |
|----------------|-----|----|----|----|------|---|-----|
| SVF-ABS03-502 | 50 | 35 | 25 | 30 | 12.5 | 2 | 0.4 |
| SVF-ABS03-505 | | | | | | 5 | |
| SVF-ABS03-722 | 72 | 48 | 40 | 44 | 21.5 | 2 | 1.1 |
| SVF-ABS03-725 | | | | | | 5 | |
| SVF-ABS03-1002 | 100 | 48 | 43 | 64 | 22.0 | 2 | 1.7 |
| SVF-ABS03-1005 | | | | | | 5 | |

(For use on A ,BE & C series)

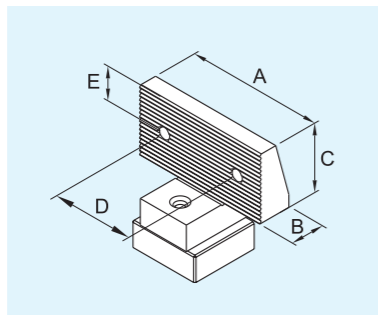
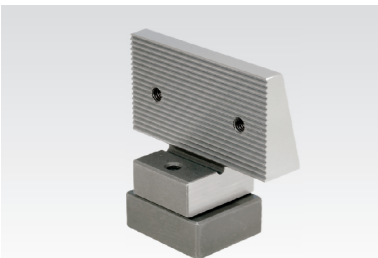
Moveable jaw



| TYPE | A | B | C | D | E | kg |
|--------------|-----|----|------|----|------|-----|
| SVF-AB04-50 | 50 | 12 | 24.3 | 30 | 12.5 | 0.2 |
| SVF-AB04-72 | 72 | 18 | 39.3 | 44 | 21.5 | 0.6 |
| SVF-AB04-100 | 100 | 21 | 42.0 | 64 | 22.0 | 1.0 |

(For use on all series)

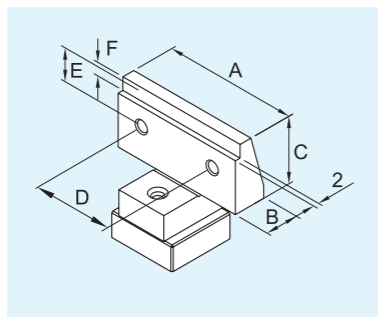
Serrated moveable jaw



| TYPE | A | B | C | D | E | kg |
|---------------|-----|----|------|----|------|-----|
| SVF-ABG04-50 | 50 | 12 | 24.3 | 30 | 12.5 | 0.2 |
| SVF-ABG04-72 | 72 | 18 | 39.3 | 44 | 21.5 | 0.6 |
| SVF-ABG04-100 | 100 | 21 | 42.0 | 64 | 22.0 | 1.0 |

(For use on all series)

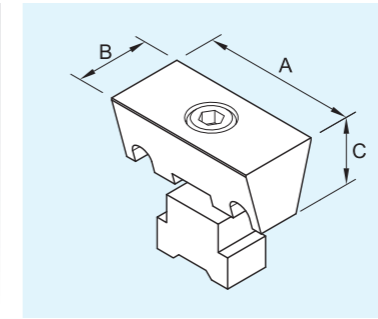
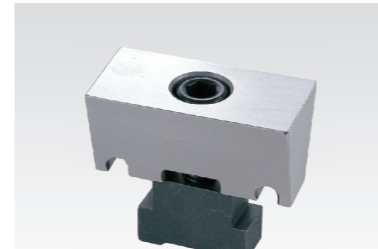
Step moveable jaw



| TYPE | A | B | C | D | E | F | kg |
|----------------|-----|----|------|----|------|---|-----|
| SVF-ABS04-502 | 50 | 12 | 24.3 | 30 | 12.5 | 2 | 0.2 |
| SVF-ABS04-505 | | | | | | 5 | |
| SVF-ABS04-722 | 72 | 18 | 39.3 | 44 | 21.5 | 2 | 0.6 |
| SVF-ABS04-725 | | | | | | 5 | |
| SVF-ABS04-1002 | 100 | 21 | 42.0 | 64 | 22.0 | 2 | 1.0 |
| SVF-ABS04-1005 | | | | | | 5 | |

(For use on all series)

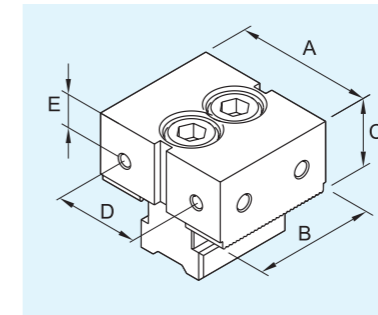
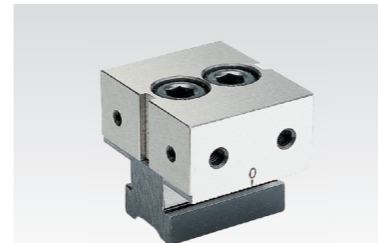
Moveable wedge



| TYPE | A | B | C | kg |
|-------------|-----|----|----|-----|
| SVF-A01-50 | 50 | 24 | 22 | 0.2 |
| SVF-A01-72 | 72 | 35 | 35 | 0.6 |
| SVF-A01-100 | 100 | 45 | 38 | 1.2 |

(For use on A series)

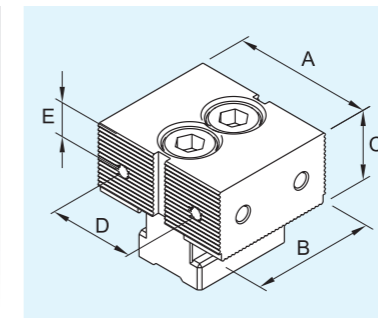
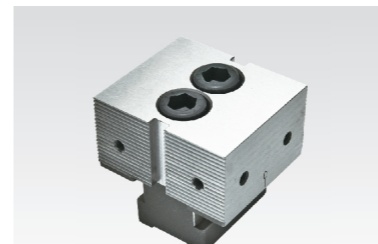
Fixed jaw-heavy duty



| TYPE | A | B | C | D | E | kg |
|-------------|-----|----|----|----|------|-----|
| SVF-B01-50 | 50 | 44 | 25 | 30 | 12.5 | 0.5 |
| SVF-B01-72 | 72 | 65 | 40 | 44 | 21.5 | 1.8 |
| SVF-B01-100 | 100 | 70 | 43 | 64 | 22.0 | 2.6 |

(For use on B & C series)

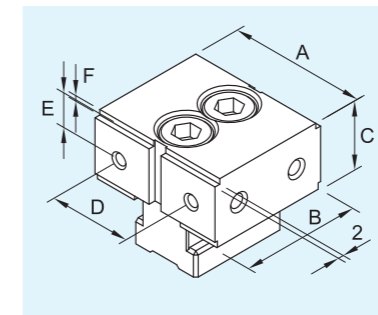
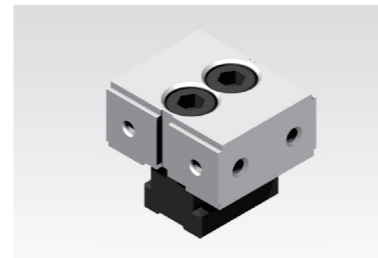
Serrated fixed jaw-heavy duty



| TYPE | A | B | C | D | E | kg |
|--------------|-----|----|----|----|------|-----|
| SVF-BG01-50 | 50 | 44 | 25 | 30 | 12.5 | 0.5 |
| SVF-BG01-72 | 72 | 65 | 40 | 44 | 21.5 | 1.8 |
| SVF-BG01-100 | 100 | 70 | 43 | 64 | 22.0 | 2.6 |

(For use on B & C series)

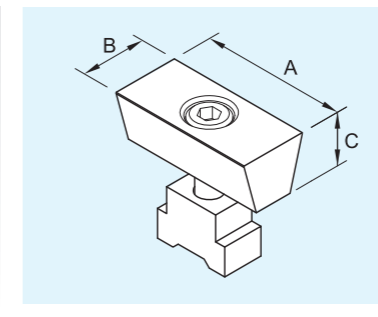
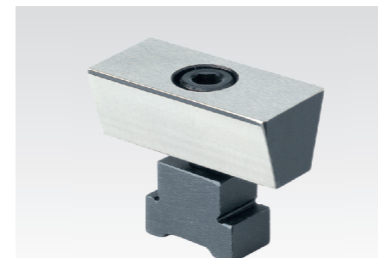
Step fixed jaw-heavy duty



| TYPE | A | B | C | D | E | F | kg |
|---------------|-----|----|----|----|------|---|-----|
| SVF-BS01-502 | 50 | 44 | 25 | 30 | 12.5 | 2 | 0.5 |
| SVF-BS01-505 | | | | | | 5 | |
| SVF-BS01-722 | 72 | 65 | 40 | 44 | 21.5 | 2 | 1.8 |
| SVF-BS01-725 | | | | | | 5 | |
| SVF-BS01-1002 | 100 | 70 | 43 | 64 | 22.0 | 2 | 2.6 |
| SVF-BS01-1005 | | | | | | 5 | |

(For use on B & C series)

Moveable wedge



| TYPE | A | B | C | kg |
|-------------|-----|------|------|-----|
| SVF-B02-50 | 50 | 22.5 | 18.0 | 0.2 |
| SVF-B02-72 | 72 | 35.0 | 29.0 | 0.6 |
| SVF-B02-100 | 100 | 45.0 | 32.9 | 1.3 |

(For use on B & BE series)

BP

BPA

BC

CP

SU

PT

SVF

ALV

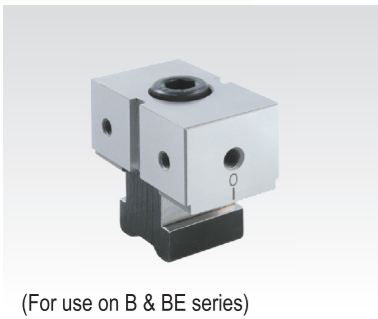
OK-
VISE

OTHER

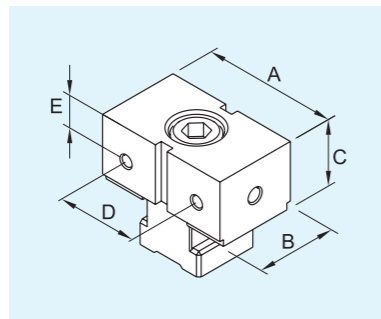
Column
for
Technical
Data

SVF Optional accessory parts

Fixed jaw-standard duty

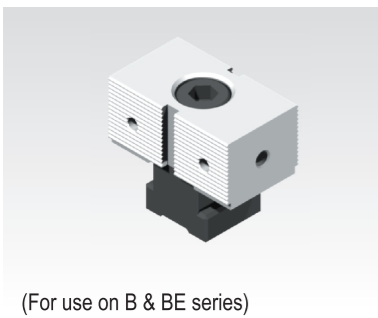


(For use on B & BE series)

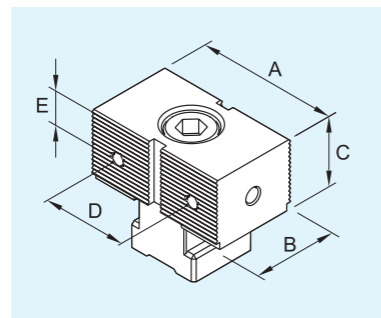


| TYPE | A | B | C | D | E | kg |
|-------------|-----|----|----|----|------|-----|
| SVF-B03-50 | 50 | 30 | 25 | 30 | 12.5 | 0.4 |
| SVF-B03-72 | 72 | 40 | 40 | 44 | 21.5 | 1.1 |
| SVF-B03-100 | 100 | 44 | 43 | 64 | 22.0 | 1.7 |

Serrated fixed jaw-standard duty



(For use on B & BE series)

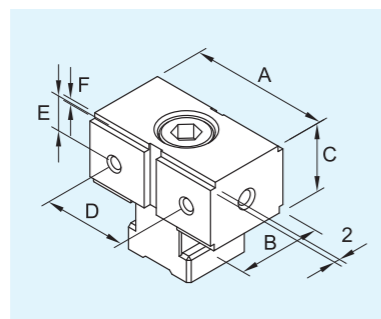


| TYPE | A | B | C | D | E | kg |
|--------------|-----|----|----|----|------|-----|
| SVF-BG03-50 | 50 | 30 | 25 | 30 | 12.5 | 0.4 |
| SVF-BG03-72 | 72 | 40 | 40 | 44 | 21.5 | 1.1 |
| SVF-BG03-100 | 100 | 44 | 43 | 64 | 22.0 | 1.7 |

Step fixed jaw-standard duty

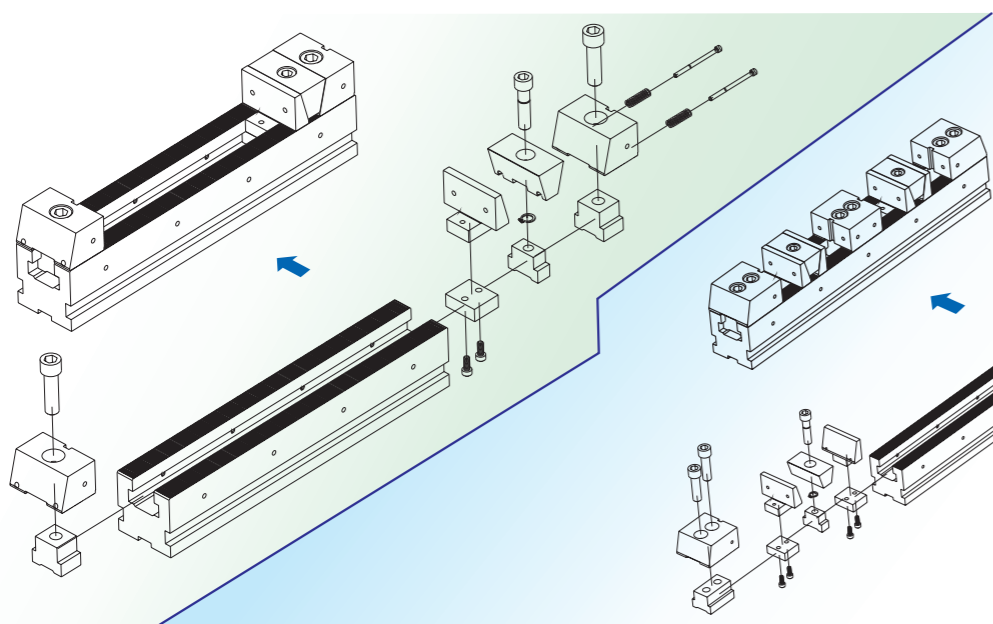


(For use on B & BE series)

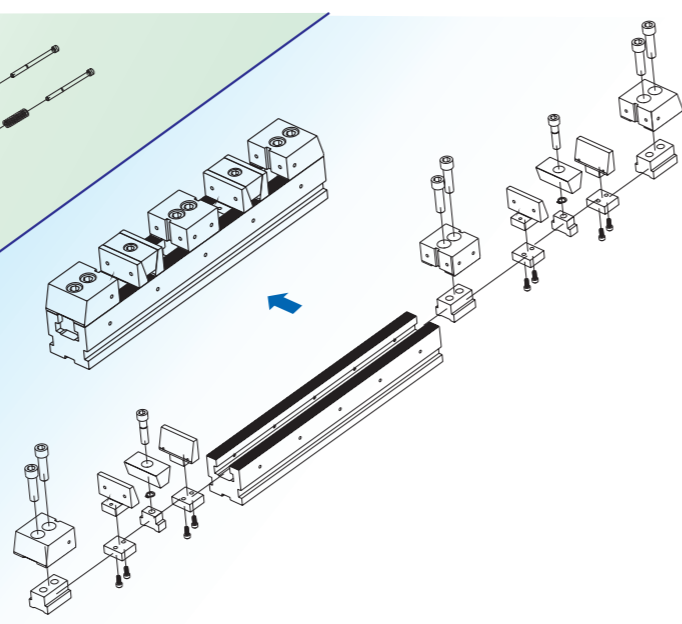


| TYPE | A | B | C | D | E | F | kg |
|---------------|-----|----|----|----|------|---|-----|
| SVF-BS03-502 | 50 | 30 | 25 | 30 | 12.5 | 2 | 0.4 |
| SVF-BS03-505 | | | | | | 5 | |
| SVF-BS03-722 | 72 | 40 | 40 | 44 | 21.5 | 2 | 1.1 |
| SVF-BS03-725 | | | | | | 5 | |
| SVF-BS03-1002 | 100 | 44 | 43 | 64 | 22.0 | 2 | 1.7 |
| SVF-BS03-1005 | | | | | | 5 | |

SVF-A Assembled

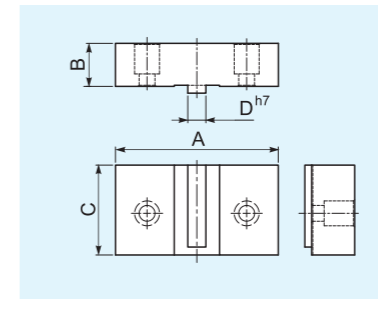
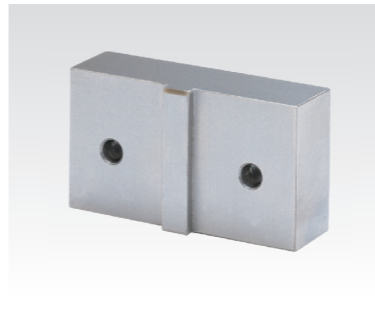


SVF-B Assembled



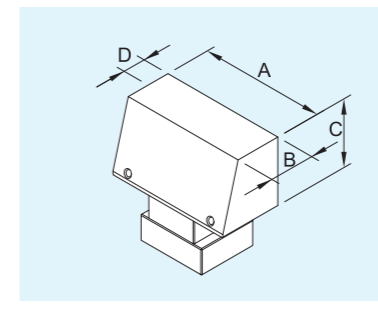
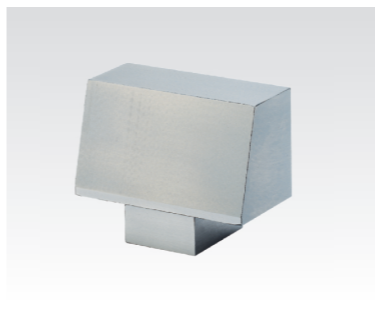
SVF Optional accessory parts

Fixed soft jaw



| TYPE | A | B | C | D | kg |
|--------------|-----|----|----|----|-----|
| SVF-S01-50 | 50 | 17 | 25 | 5 | 0.2 |
| SVF-S01-50W | 80 | 27 | | | 0.4 |
| SVF-S01-72 | 72 | 19 | 40 | 8 | 0.4 |
| SVF-S01-72W | 115 | 30 | | | 1.1 |
| SVF-S01-100 | 100 | 25 | 43 | 10 | 0.9 |
| SVF-S01-100W | 150 | 35 | | | 1.8 |

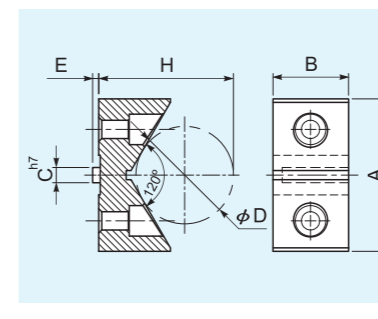
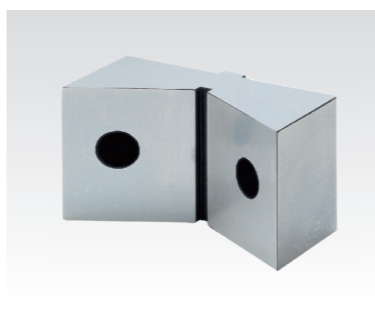
Moveable soft jaw



| TYPE | A | B | C | D | kg |
|--------------|-----|----|------|----|-----|
| SVF-S02-50 | 50 | 21 | 24.5 | 13 | 0.3 |
| SVF-S02-50W | 80 | 34 | | | 0.7 |
| SVF-S02-72 | 72 | 26 | 39.5 | 19 | 1.0 |
| SVF-S02-72W | 115 | 40 | | | 1.9 |
| SVF-S02-100 | 100 | 35 | 42.5 | 25 | 2.0 |
| SVF-S02-100W | 150 | 50 | | | 3.2 |

D is the maximum dimension to be re-machined to accommodate the clamping requirement.

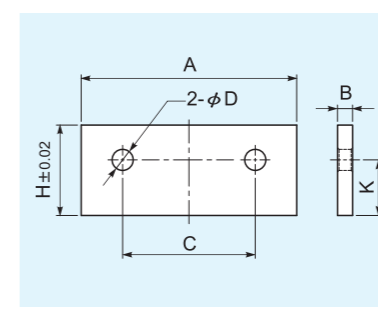
Hardened V jaw



| TYPE | A | B | C | D |
|-------------|-----|----|----|----|
| SVF-S03-50 | 50 | 25 | 5 | 42 |
| SVF-S03-72 | 72 | 40 | 8 | 62 |
| SVF-S03-100 | 100 | 43 | 10 | 62 |

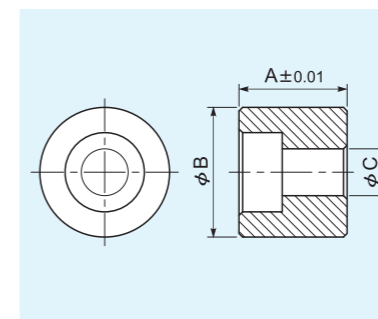
| TYPE | E | H | CLAMP (MAX) | kg |
|-------------|---|-------|-------------|-----|
| SVF-S03-50 | 2 | 54.98 | φ 70 | 0.2 |
| SVF-S03-72 | 3 | 82.45 | φ 110 | 0.6 |
| SVF-S03-100 | 4 | 90.24 | φ 160 | 1.2 |

Parallel



| TYPE | A | B | C | D | H | K | kg |
|----------------|------|---|----|----|----|------|------|
| SVF-S04-50-17 | | 5 | | 17 | | | 0.03 |
| SVF-S04-50-20 | 49.5 | 5 | 30 | 6 | 20 | 12.3 | 0.04 |
| SVF-S04-50-22 | | | | | | | |
| SVF-S04-72-25 | | 5 | | 25 | | | 0.07 |
| SVF-S04-72-30 | 71.5 | 5 | 44 | 7 | 30 | 18.4 | 0.08 |
| SVF-S04-72-35 | | | | | 35 | | |
| SVF-S04-72-37 | | | | | 37 | | |
| SVF-S04-100-29 | | 8 | | 29 | | | 0.18 |
| SVF-S04-100-33 | 99.5 | 8 | 64 | 9 | 33 | 21.0 | 0.21 |
| SVF-S04-100-38 | | | | | 38 | | |
| SVF-S04-100-40 | | | | | 40 | | |

Spacer - work piece stop plate



| TYPE | A | B | C | kg |
|----------------|----|----|-----|------|
| SVF-S05-10 | 10 | | | 0.01 |
| SVF-S05-15 | 15 | 18 | 6.5 | 0.02 |
| SVF-S05-23 | 23 | | | 0.03 |
| SVF-S05-100-15 | 15 | | | 0.03 |
| SVF-S05-100-20 | 20 | 25 | 9.0 | 0.04 |
| SVF-S05-100-25 | 25 | | | 0.05 |

BP

BPA

BC

CP

SU

PT

SVF

ALV

OK-
VISE

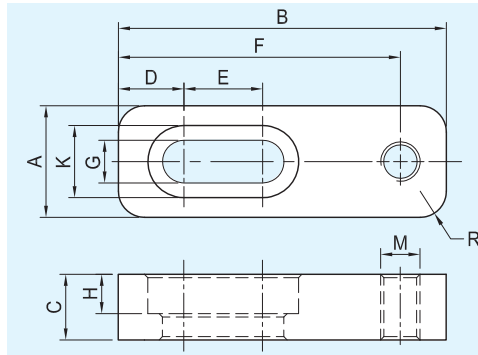
OTHER

Column
for
Technical
Data

SVF

Optional accessory parts

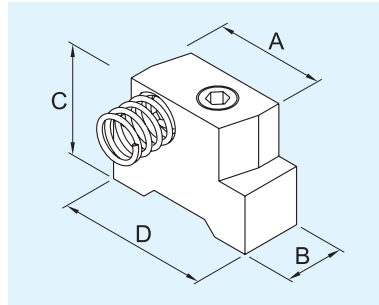
Work piece stop plate



| TYPE | A | B | C | D | E | F |
|-------------|----|----|----|------|----|----|
| SVF-S06-50 | 17 | 45 | 10 | 10.0 | 12 | 38 |
| SVF-S06-72 | 17 | 50 | 10 | 10.0 | 12 | 43 |
| SVF-S06-100 | 25 | 55 | 15 | 11.5 | 16 | 45 |

| TYPE | G | H | K | M | R | kg |
|-------------|-----|-----|----|----|---|------|
| SVF-S06-50 | 6.5 | 6.0 | 11 | M6 | 4 | 0.03 |
| SVF-S06-72 | 6.5 | 6.0 | 11 | M6 | 4 | 0.04 |
| SVF-S06-100 | 9.0 | 8.5 | 14 | M8 | 5 | 0.14 |

Spring loaded tnut



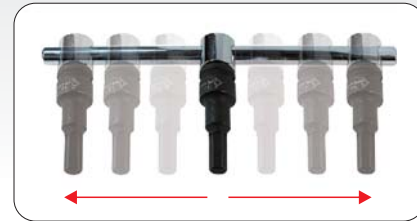
| TYPE | A | B | C | D | kg |
|-------------|----|------|----|----|------|
| SVF-S07-50 | 19 | 10.2 | 19 | 25 | 0.04 |
| SVF-S07-72 | 30 | 12.2 | 29 | 40 | 0.05 |
| SVF-S07-100 | 45 | 14.0 | 29 | 56 | 0.05 |

(For use on B & BE series)

T-handle adjustable socket driver (SKD-T 1/2 L10)



Socket



Standard parts included with SVF-A & SVF-B SVF-BE vises

| For | T-slot nut | | Clamp | | Screw | | Threaded dowel pin | | Locating key | | Hexagonal driver | |
|-----|------------|-------|------------|-------|-------------|--------------|--------------------|-------|-------------------------|-------|------------------|------|
| | MODEL NO. | QTY | MODEL NO. | QTY | MODEL NO. | QTY | MODEL NO. | QTY | MODEL NO. | QTY | MODEL NO. | QTY |
| 50 | PT06-1812 | | SVF-P01-50 | | CAP-M12-40L | Same as hole | PT11-1234 | | PT27-1810 CAP-M6-10L | 2 pcs | SPN-M6HEX | 1 pc |
| 72 | PT06-1816 | 4 pcs | SVF-P01-72 | 4 pcs | CAP-M16-50L | | PT11-1642 | 2 pcs | | | SPN-M10HEX | 1 pc |
| 100 | PT06-1816 | | SVF-P01-72 | | CAP-M16-50L | | PT11-1642 | | | | SPN-M12HEX | 1 pc |