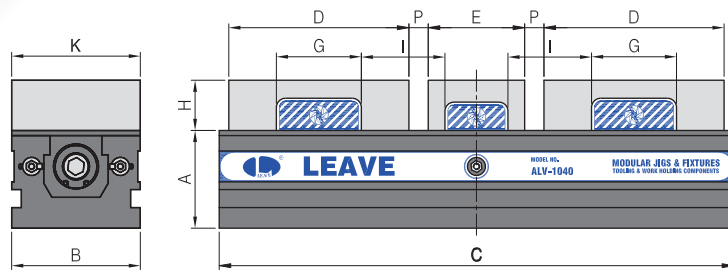


ALV

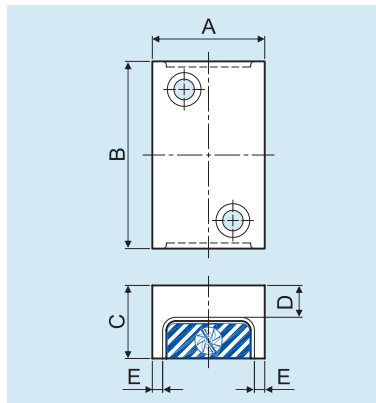
HIGH STRENGTH ALUMINUM LINE UP VISE

- Material: High strength aluminum A7075 (Hard coat surface)
Tool steel (Hardness: over HRC 55°)
- Application: Ideal for aluminum or irregular shaped work pieces.



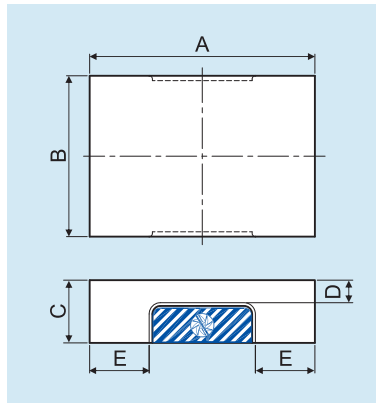
MODEL NO.	A	B	C	D	E	G	H	I	K	P	kg
ALV-0620-2							21				2.9
ALV-0620-2H							31				3.0
ALV-0620-2W	64	60	200	75	36	43	21	18,0-25,0	60	0-7,0	3.1
ALV-0620-2WH							31				3.4
ALV-1030-2							39				9.0
ALV-1030-2H							54				10.3
ALV-1030-2W	76	100	300	110	60	66	39	27,5-37,5	100	0-10,0	10.7
ALV-1030-2WH							54				12.4
ALV-1040-2							39				12.8
ALV-1040-2H							54				14.3
ALV-1040-2W	76	100	400	140	75	66	39	50,0-65,0	100	0-15,0	14.7
ALV-1040-2WH							54				17.0
ALV-1550-2							49				28.7
ALV-1550-2H							59				30.3
ALV-1550-2W	95	150	500	185	80	89	49	63,5-86,0	150	0-22,5	31.5
ALV-1550-2WH							59		200		33.7

Fixed Jaw



MODEL NO.	A	B	C	D	E	kg
ALV-0620-57	36	60	21	7	2.0	0.10
ALV-0620-57H			31	17		0.15
ALV-0620-57W	36	80	21	7	2.0	0.15
ALV-0620-57WH			31	17		0.23
ALV-1030-57	60	100	39	17	5.5	0.60
ALV-1030-57H			54	32		0.80
ALV-1030-57W	60	150	39	17	5.5	0.90
ALV-1030-57WH			54	32		1.25
ALV-1040-57	75	100	39	17	13.0	0.72
ALV-1040-57H			54	32		1.04
ALV-1040-57W	75	150	39	17	13.0	1.14
ALV-1040-57WH			54	32		1.60
ALV-1550-57	80	150	49	21	15.5	1.45
ALV-1550-57H			59	31		1.75
ALV-1550-57W	80	200	49	21	15.5	2.00
ALV-1550-57WH			59	31		2.40

Movable Soft Jaw



MODEL NO.	A	B	C	D	E	kg
ALV-0620-56	75	60	21	3	16	0.20
ALV-0620-56H			31	13		0.28
ALV-0620-56W	75	80	21	3	16	0.30
ALV-0620-56WH			31	13		0.45
ALV-1030-56	110	100	39	14	22	1.00
ALV-1030-56H			54	29		1.45
ALV-1030-56W	110	150	39	14	22	1.62
ALV-1030-56WH			54	29		2.30
ALV-1040-56	140	100	39	14	37	1.35
ALV-1040-56H			54	29		1.90
ALV-1040-56W	140	150	39	14	37	2.04
ALV-1040-56WH			54	29		2.95
ALV-1550-56	185	150	49	19	48	3.35
ALV-1550-56H			59	29		4.00
ALV-1550-56W	185	200	49	19	48	4.48
ALV-1550-56WH			59	29		5.40