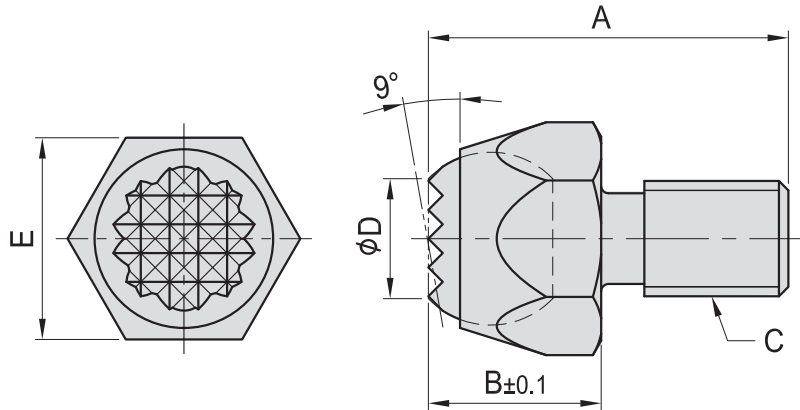
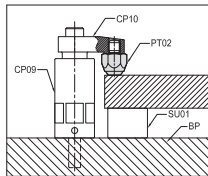


PT02

SERRATED BALL END BOLT



- Material :
Bolt : S45C(JIS) / CK45(DIN)
Ball : SUJ2(JIS) / 100Cr6(DIN)
- Heat treated :
Bolt : HRC 28°~32°
Ball : HRC 62°
- Surface finish : Black Oxide.
- Application : Precision swivel ball that can be used either as a contact bolt or as a rest pad. As contact bolts, these swivel-ball units are ideal for evenly distributing clamping pressure on sloped or uneven surfaces.
- Features : serrated gripper is ideal for rough surfaces.



MODEL NO.	A	B	C	D	E	kg
PT02-0610	21	10	M6x1.00	6	10	0.012
PT02-0814	25	12	M8x1.25	8	14	0.015
PT02-1017	30	16	M10x1.50	10	17	0.025
PT02-1222	35	22	M12x1.75	12	22	0.070
PT02-1627	42	26	M16x2.00	14	27	0.140
PT02-2036	55	27	M20x2.50	14	36	0.280
PT02-2436	65	32	M24x2.00	18	36	0.560
PT02-3046	80	35	M30x2.00	21	46	0.880