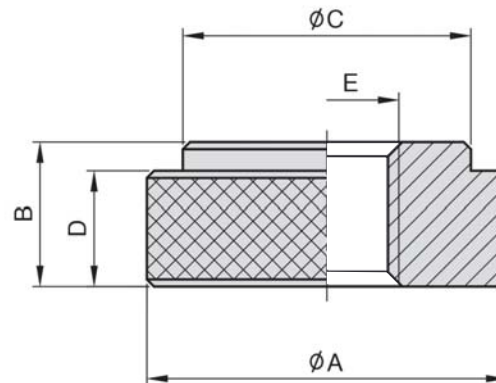


PT03

KNURLED NUT



- Material : S45C(JIS) / CK45(DIN)
- Heat treated : HRC 30°~35°
- Surface finish : Black Oxide.
- Application : use where quick hand assembly is needed.



MODEL NO.	A	B	C	D	E	kg
PT03-0820	20	8	16	6	M 8	0.015
PT03-1025	25	10	20	8	M10	0.030
PT03-1228	28	12	24	10	M12	0.040
PT03-1630	30	12	25	10	M16	0.045

BP

BPA

BC

CP

SU

PT