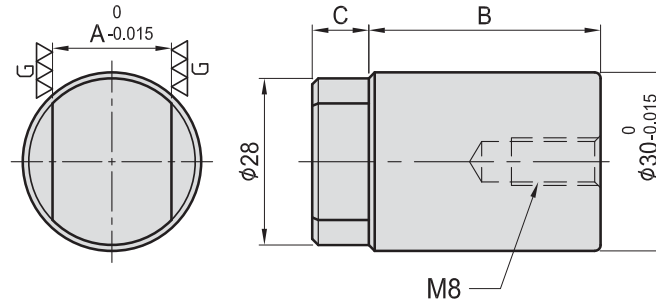


PT10

LOCATING KEY



- Material : SCM440(JIS) / 34CrMo4(DIN)
- Heat treated : HRC 45°
- Application : Multipurpose locating key.



MODEL NO.	A	B	C	kg
PT10-1410	14	49	10.0	0.032
PT10-1815	18		15.0	0.033
PT10-2009	20	39	9.5	0.028
PT10-2010	20	49	10.0	0.033
PT10-2015			15.0	0.034

BP

BPA

BC

CP

SU

PT