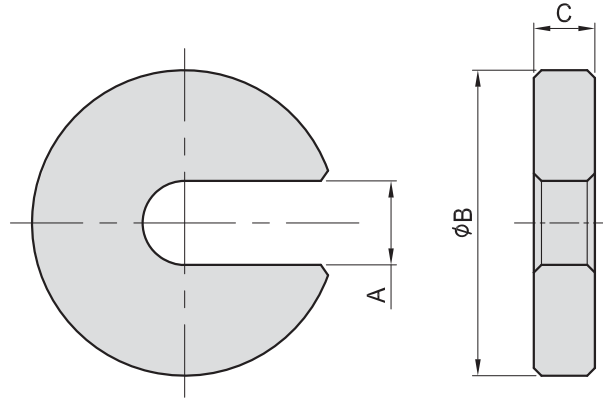


# PT23

## "C" WASHER



- Material : S45C(JIS)/CK45(DIN)
- Heat treated : HRC 40°
- Surface finish : Black Oxide.  
Application : Use where quick assembly is important.
- Features : Washer that slides in and out of position for clean loading.

MODEL NO.	A	B	C	kg
PT23-0835	9	35	8	0.065
PT23-1040	11	40		0.065
PT23-1255	13	55	10	0.150
PT23-1665	17	65		0.200
PT23-2080	21	80	10	0.300
PT23-2490	25	90	12	0.470