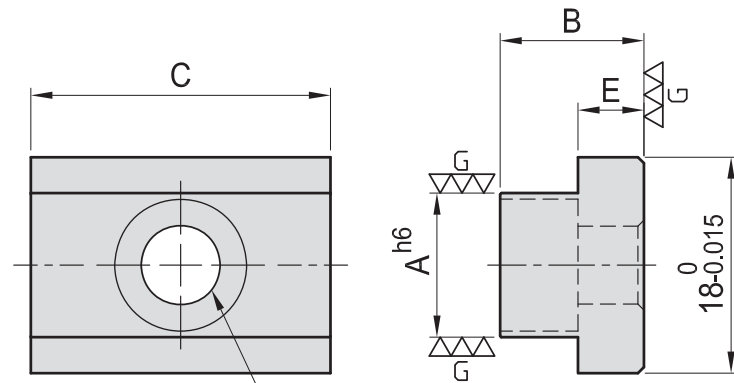


# PT26

## LOCATING KEY



- Material : S45C(JIS)/C105W1(DIN)
- Heat treated : HRC 50°
- Application : Locate & align jig components  
T-slot, ground surface provide accurate placement.



D Cap-Screw Hole

MODEL NO.	A	B	C	D	E	kg
PT26-1812	12	12	25	M6	5.5	0.035
PT26-1814	14					0.040
PT26-1816	16					
PT26-1820	20					
PT26-1822	22					