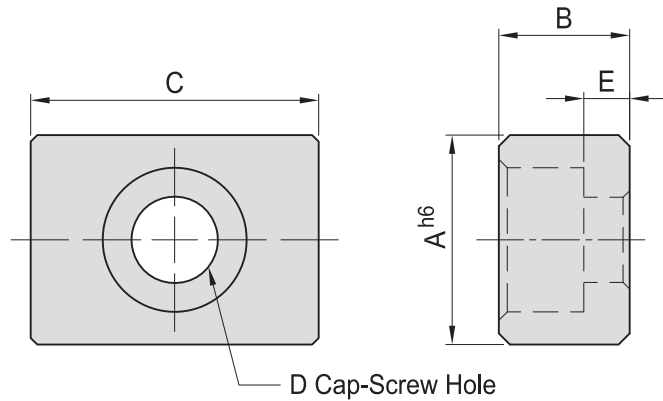


# PT27

## LOCATING KEY



- Material : S45C(JIS)/C105W1(DIN)
- Heat treated : HRC 45°~50°
- Application : Locate & align jig components  
T-slot, ground surface provide accurate placement.



MODEL NO.	A	B	C	D	E	kg		
PT27-1008	10	8	20	M4	3.5	0.015		
PT27-1208	12			M5	2.5	0.019		
PT27-1410	14	10	22	M6	3.5	0.020		
PT27-1610	16					0.025		
PT27-1810	18					0.030		
PT27-2010	20							
PT27-2210	22							