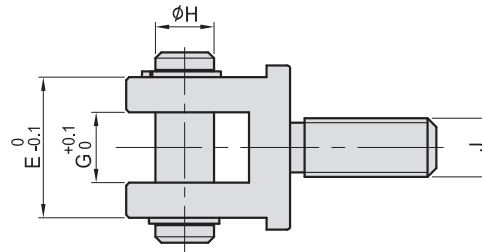
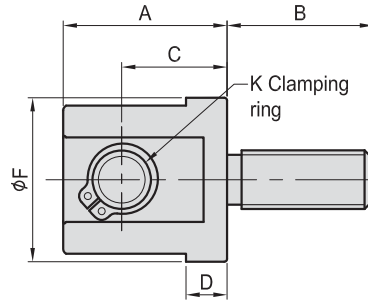
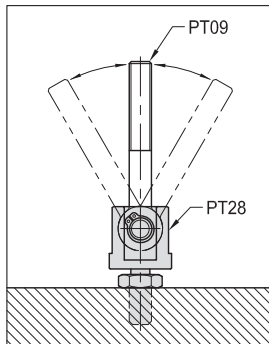


PT28

SWIVEL JOINT SUPPORT



- Material : S45C(JIS)/CK45(DIN)
- Heat treated : HRC 32°~38°
- Surface finish : Black Oxide.
- Application : Use with PT09 to build up a swiveling jig.



MODEL NO.	A	B	C	D	E	F	G	H	J	K	kg
PT28-1025	28	25	18	7.0	24	28	12	10	M10	10	0.055
PT28-1230	34	30	21	7.5	25	30	14	12	M12	12	0.105
PT28-1640	42	40	26	9.0	34	40	17	16	M16	16	0.210
PT28-2050	52	50	32	11.0	42	50	22	20	M20	20	0.300

BP

BPA

BC

CP

SU

PT