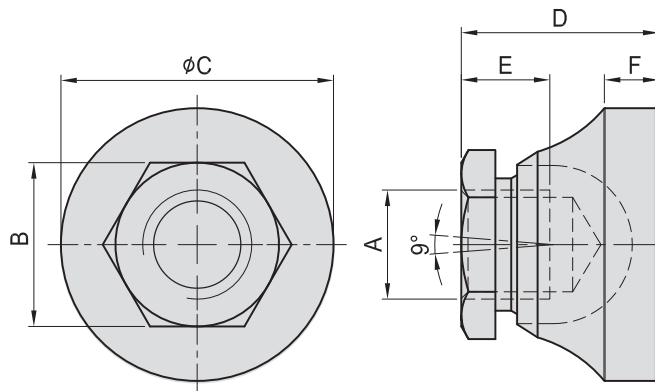
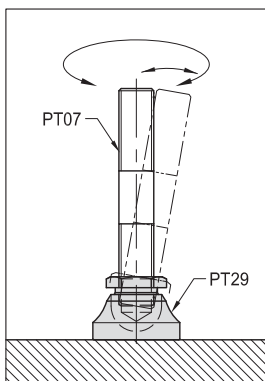


# PT29

## SWIVEL PAD



- Material : S45C(JIS)/CK45(DIN)
- Heat treated : HRC 32°~38°
- Surface finish : Black Oxide.
- Application : Use for supporting uneven surfaces.



MODEL NO.	A	B	C	D	E	F	kg
PT29-1219	M12	19	35	24	11	7	0.080
PT29-1624	M16	24	40	29	13	8	0.150
PT29-2029	M20	29	50	40	18	10	0.300

SVF

ALV

OK-  
VISE

OTHER

Column  
for  
Technical  
Data