

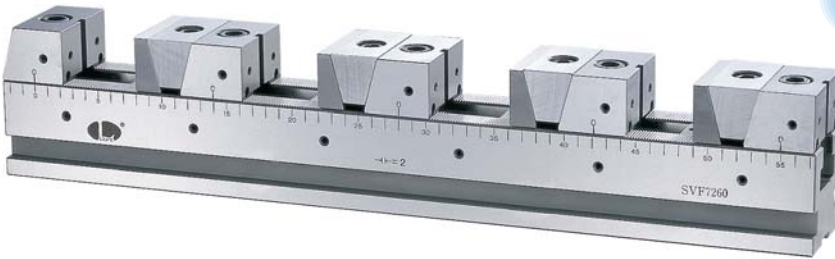
SVF-A

FLEXIBLE LINE UP VISE SERIES

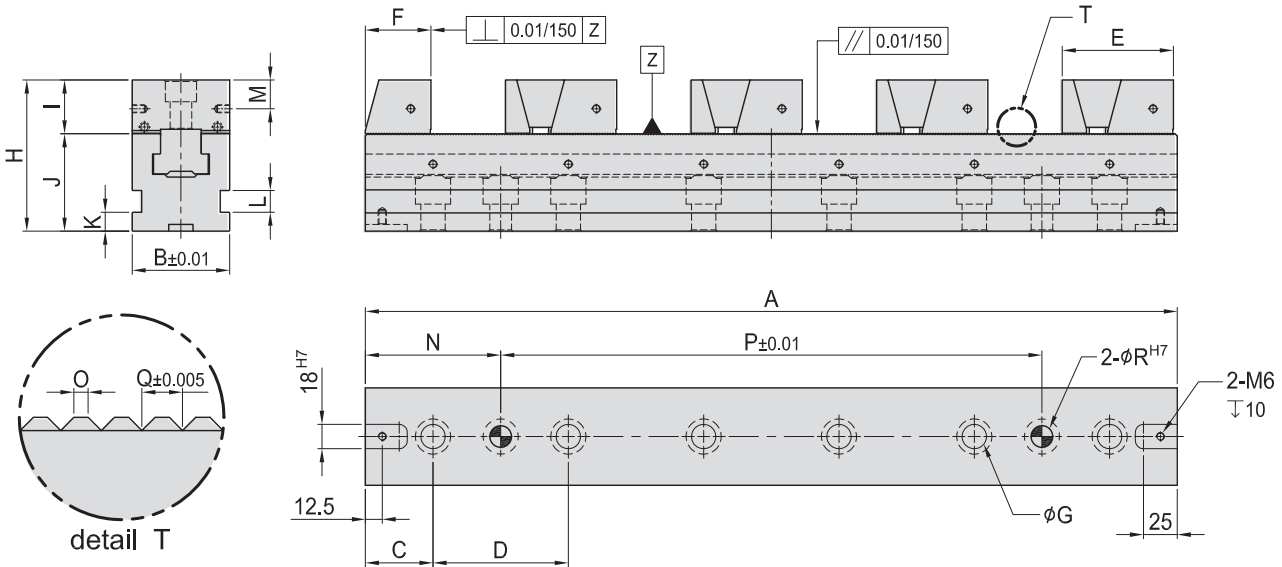
One way clamping

- Material 100% tool steel
- Heat treated HRC 55° & ground

**High Capacity
High Flexibility**



Clamping force:
SVF-50 : 1000 kgf
SVF-72 : 2000 kgf
SVF-100: 3000 kgf



BP

BPA

BC

CP

SU

PT

SVF

ALV

OK-
VISE

OTHER

Column
for
Technical
Data

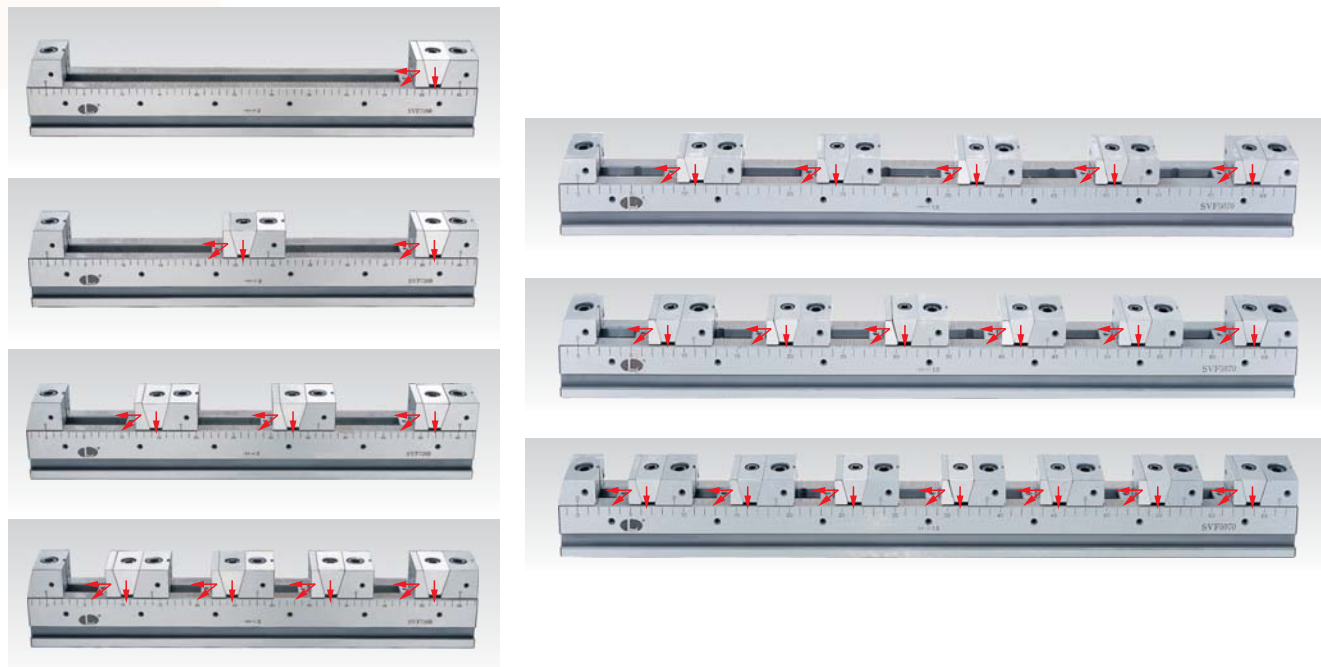
MODEL NO.	A	B	C	D	E	F	G	H	I	J	K	L	M	N	O	P	Q	R	kg
SVF-A-5030-80*	300	50	30	80	60.6	35	14	75	24.8	50	10	12	12.5	70	0.50	160	1.5	12	6.5
SVF-A-5030-100*			50	100												100			
SVF-A-5040-80	400	50	40	80	60.6	35	14	75	24.8	50	10	12	12.5	80	0.50	240	1.5	12	8.5
SVF-A-5040-100			50	100												200			
SVF-A-5050-80	500	50	50	80	60.6	35	14	75	24.8	50	10	12	12.5	90	0.50	320	1.5	12	10.0
SVF-A-5050-100			50	100												300			
SVF-A-5060-80	600	50	60	80	60.6	35	14	75	24.8	50	10	12	12.5	100	0.50	400	1.5	12	11.5
SVF-A-5060-100			50	100												400			
SVF-A-5070-80	700	50	70	80	60.6	35	14	75	24.8	50	10	12	12.5	110	0.50	480	1.5	12	13.0
SVF-A-5070-100			50	100												500			
SVF-A-7240-100*	400	72	50	100	82.2	48	18	112	39.7	72	14	16	21.3	100	0.70	200	2.0	16	19.0
SVF-A-7250-100	500															300			24.5
SVF-A-7260-100	600	72	50	100	82.2	48	18	112	39.7	72	14	16	21.3	100	0.70	400	2.0	16	27.0
SVF-A-7270-100	700															500			30.0
SVF-A-10040-100*	400	100	50	100	93.2	48	18	115	43.1	72	14	16	22.2	100	0.85	200	2.5	16	29.0
SVF-A-10050-100	500															300			37.0
SVF-A-10060-100	600	100	50	100	93.2	48	18	115	43.1	72	14	16	22.2	100	0.85	400	2.5	16	41.0
SVF-A-10070-100	700															500			45.0

(SVF vises listed above come equipped to clamp 1-4 parts, if additional part clamping is required please order optional accessories as listed on pages 7-14 ~ 7-19)

* these units will only hold up to 3 parts.

SVF-A

Forcing direction



Maximum width of the workpieces which can be clamped

MODEL NO.	1 pcs	2 pcs	3 pcs	4 pcs
	SVF-A-5030	203	71	27
SVF-A-5040	303	121	60	30
SVF-A-5050	403	171	94	55
SVF-A-5060	503	221	127	80
SVF-A-5070	603	271	160	105
SVF-A-7240	269	93	35	—
SVF-A-7250	369	143	68	30
SVF-A-7260	469	193	101	55
SVF-A-7270	569	243	135	80
SVF-A-10040	258	82	24	—
SVF-A-10050	358	132	57	19
SVF-A-10060	458	182	90	44
SVF-A-10070	558	232	124	69

MODEL NO.	5 pcs	6 pcs	7 pcs	8 pcs	9 pcs
	SVF-A-5030	--	--	--	--
SVF-A-5040	--	--	--	--	--
SVF-A-5050	32	16	--	--	--
SVF-A-5060	52	33	20	--	--
SVF-A-5070	72	50	34	22	13
SVF-A-7240	--	--	--	--	--
SVF-A-7250	--	--	--	--	--
SVF-A-7260	28	--	--	--	--
SVF-A-7270	48	26	--	--	--
SVF-A-10040	--	--	--	--	--
SVF-A-10050	--	--	--	--	--
SVF-A-10060	17	--	--	--	--
SVF-A-10070	37	--	--	--	--