

SVF-B

FLEXIBLE LINE UP VISE SERIES

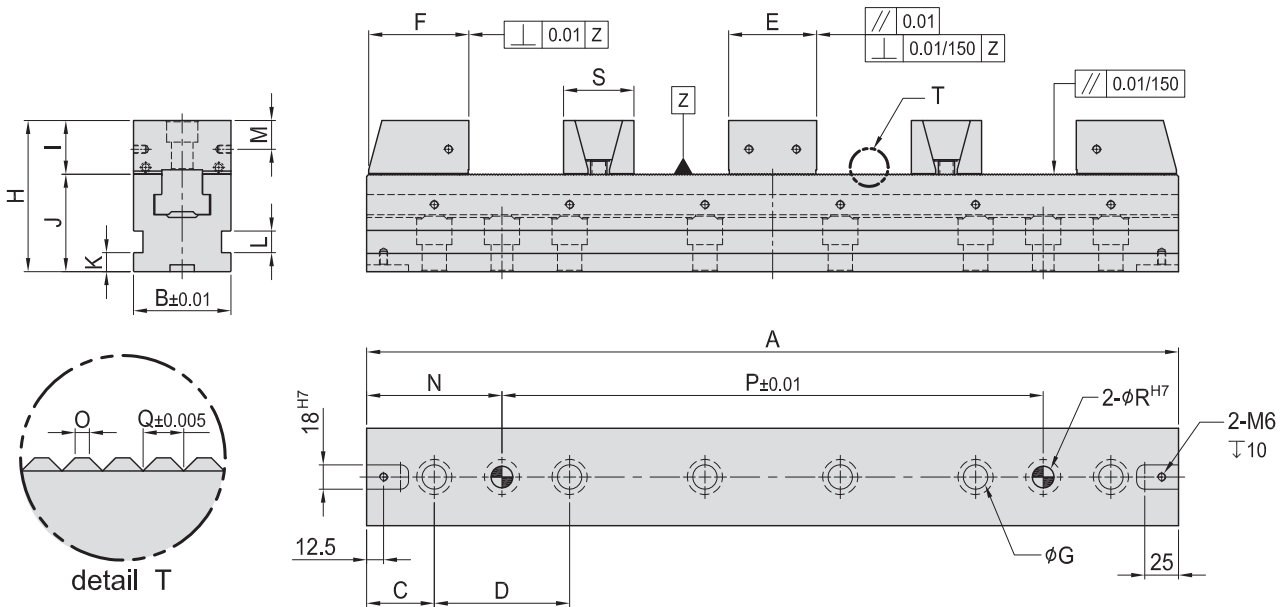
Two way clamping

- Material 100% tool steel
- Heat treated HRC 55° & ground



**High Capacity
High Flexibility**

SVF-50 : 1000 kgf
amping force: SVF-72 : 2000 kgf
SVF-100: 3000 kgf



BP

BPA

BC

CP

SU

PT

SVF

ALV

OK-
VISE

OTHER

Column
for
Technical
Data

MODEL NO.	A	B	C	D	E	F	G	H	I	J	K	L	M	N	O	P	Q	R	S	kg
SVF-B-5030-80	300	50	30	80	44	50	14	75	24.8	50	10	12	12.5	70	0.50	160	1.5	12	36	6.5
SVF-B-5030-100			50	100										100						
SVF-B-5040-80	400	50	40	80	44	50	14	75	24.8	50	10	12	12.5	80	0.50	240	1.5	12	36	7.6
SVF-B-5040-100			50	100										200						
SVF-B-5050-80	500	50	50	80	44	50	14	75	24.8	50	10	12	12.5	90	0.50	320	1.5	12	36	9.0
SVF-B-5050-100			100	100										300						
SVF-B-5060-80	600	50	60	80	44	50	14	75	24.8	50	10	12	12.5	100	0.50	400	1.5	12	36	10.5
SVF-B-5060-100			50	100										400						
SVF-B-5070-80	700	50	70	80	44	50	14	75	24.8	50	10	12	12.5	110	0.50	480	1.5	12	36	12.0
SVF-B-5070-100			50	100										500						
SVF-B-7240-100	400	72	50	100	65	74	18	112	39.7	72	14	16	21.3	100	0.70	200	2.0	16	52	19.0
SVF-B-7250-100	500															300				27.0
SVF-B-7260-100	600	72	50	100	65	74	18	112	39.7	72	14	16	21.3	100	0.70	400	2.0	16	52	25.0
SVF-B-7270-100	700															500				27.5
SVF-B-10040-100*	400	100	50	100	70	75	18	115	43.1	72	14	16	22.2	100	0.85	200	2.5	16	65	26.5
SVF-B-10050-100	500															300				32.5
SVF-B-10060-100	600	100	50	100	70	75	18	115	43.1	72	14	16	22.2	100	0.85	400	2.5	16	65	36.6
SVF-B-10070-100	700															500				41.0

(SVF vises listed above come equipped to clamp 1-4 parts, if additional part clamping is required please order optional accessories as listed on pages 7-14 ~ 7-19)

* these units will only hold up to 3 parts.

SVF-B

Forcing direction



Maximum width of the workpieces which can be clamped

MODEL NO.	1 pcs	2 pcs	3 pcs	4 pcs	5 pcs	6 pcs
SVF-B-5030	176	82	32	21	--	—
SVF-B-5040	276	132	65	46	23	17
SVF-B-5050	376	182	98	71	43	34
SVF-B-5060	476	232	132	96	63	50
SVF-B-5070	576	282	165	121	83	67
SVF-B-7240	217	100	33	20	--	—
SVF-B-7250	317	150	65	45	16	—
SVF-B-7260	417	200	100	70	36	27
SVF-B-7270	517	250	133	95	56	44
SVF-B-10040	204	92	23	--	--	—
SVF-B-10050	304	142	56	37	--	—
SVF-B-10060	404	192	89	62	26	18
SVF-B-10070	504	242	123	87	46	35

MODEL NO.	7 pcs	8 pcs	9 pcs	10 pcs	11 pcs
SVF-B-5030	—	--	--	—	--
SVF-B-5040	—	--	--	—	--
SVF-B-5050	19	15	--	—	--
SVF-B-5060	33	28	17	14	--
SVF-B-5070	48	40	28	24	16
SVF-B-7240	—	--	--	—	--
SVF-B-7250	—	--	--	—	--
SVF-B-7260	—	--	--	—	--
SVF-B-7270	23	18	--	—	--
SVF-B-10040	—	--	--	—	--
SVF-B-10050	—	--	--	—	--
SVF-B-10060	—	--	--	—	--
SVF-B-10070	—	--	--	—	--